



Page 11-4

**SWITCH DISCONNECTORS 16A TO 125A (AC21A)**

- Switch disconnectors with direct operating handle and door coupling version
- Switch disconnectors with front door mount
- Switch disconnectors in non-metallic enclosure
- Changeover switches in non-metallic enclosure.



Page 11-16

**SWITCH DISCONNECTORS 50A TO 1600A (AC21A)**

- Three and four-pole switch disconnectors
- Three and four-pole switch disconnectors with NFC, NH and BS type fuse holders
- Three and four-pole changeover switches; add-on motorised control unit available.



Page 11-24

**FOR PHOTOVOLTAIC APPLICATIONS UP TO 850A 1000VDC (DC21B)**

- Three and four-pole switch disconnectors
- Direct operating and door coupling versions
- Serial connection of 2, 3, 4, 6 and 8 poles.



- 16A to 1600A ratings
- Versions: direct operating handle, door coupling and in housing
- Wide range of accessories
- Types for photovoltaic applications up to 850A 1000VDC in DC21B duty
- Changeover switches in polycarbonate enclosure.

	SEC. - PAGE
<b>GA series 16A to 125A</b>	
Three-pole switch disconnectors .....	11 - 4
Fourth pole add on.....	11 - 5
Add-on blocks and accessories .....	11 - 7
Empty non-metallic enclosures .....	11 - 11
Enclosed switch disconnectors .....	11 - 12
Enclosed changeover switches .....	11 - 14
<b>GE series 50A to 1600A</b>	
Three-pole switch disconnectors .....	11 - 16
Three-pole switch disconnectors with fuse holder .....	11 - 16
Four-pole switch disconnectors .....	11 - 17
Four-pole switch disconnectors with fuse holder .....	11 - 17
Three-pole changeover switches .....	11 - 18
Four-pole changeover switches .....	11 - 18
Add-on blocks and accessories .....	11 - 19
Combinations .....	11 - 21
<b>For photovoltaic applications</b> .....	11 - 24
<b>Dimensions</b> .....	11 - 26
<b>Wiring diagrams</b> .....	11 - 50
<b>Technical characteristics</b> .....	11 - 53

### GA series 16A to 125A



IEC AC21A	DIRECT OPERATING HANDLE AND DOOR COUPLING VERSION										DOOR MOUNT VERSION							
	36mm / 1.42" width					70mm / 2.75" width					36mm / 1.42" width				70mm / 2.75" width			
	16A	25A	32A	40A	63A	63A	80A	100A	125A	16A	25A	32A	40A	63A	80A	100A	125A	
Three pole	●	●	●	●	●	●	●	●	●	●	●	●	●	●	●	●	●	
4th pole - simultaneous closing		●			●	●	●	●	●		●			●	●	●	●	
4th pole - early-make closing		●			●		●				●				●			
Three-pole for photovoltaic applications				●			●		●									
Fuse holder	●																	
Mechanical 6-8 pole coupling system		●					●											
Mechanical interlock for line switching		●					●											



IEC AC21A	ENCLOSED VERSION - IEC/EN TYPE IP65 WITH RED/ YELLOW OR BLACK HANDLE										ENCLOSED VERSION - UL/CSA TYPE 4/4X WITH RED/ YELLOW OR BLACK HANDLE							
	16A	25A	32A	40A	63A	63A	80A	100A	125A	16A	25A	32A	40A	63A	63A	80A	100A	125A
UL/CSA general use 600VAC										16A	25A	32A	40A	60A	60A	100A	100A	100A
	Enclosure width					Enclosure width					Enclosure width							
	100mm / 3.94"			175mm / 6.89"		220mm / 8.66"	100mm / 3.94"				175mm / 6.89"		220mm / 8.66"					
SWITCH DISCONNECTORS																		
Three pole	●	●	●	●	●	●	●	●	●	●	●	●	●	●	●	●	●	●
Four pole	●		●			●		●	●	●		●			●		●	●
CHANGEOVER SWITCHES																		
											Enclosure width							
											175mm / 6.89"				220mm / 8.66"			
Three pole											●		●	●		●		●
Four pole											●		●	●		●		●

### GE series 50A to 1600A

Switch disconnectors



Changeover switches



IEC AC21A	DIRECT OPERATING AND DOOR COUPLING VERSION													
	50A	125A	160A	200A	250A	315A	400A	500A	630A	800A	1000A	1250A	1600A	
SWITCH DISCONNECTORS 50A TO 1600A														
Three and four pole			●	●	●	●	●	●	●	●	●	●	●	
Three and four pole with NFC fuse holder	●	●												
Three and four pole with NH fuse holder			●		●		●		●	●				
Three and four pole with BS fuse holder			●	●	●	●	●		●	●				
Four-pole for photovoltaic applications		●	●		●	●			●	●		●		
CHANGEOVER SWITCHES 160A TO 1600A														
Three and four pole			●	●	●	●	●	●	●	●	●	●	●	
Motorised control unit					●				●			●		

# VERSATILITY!

● **COMPACT SIZE**

The three-pole 16A to 63A switch disconnectors, are made up of a single unit body, merely 36mm/1.4" wide, while the 63A to 125A ratings, of another body size of only 70mm/2.8" wide.

● **ACCESSORY FLEXIBILITY**

Mounting and removal of the fourth pole and add-on blocks are simple and quick operations with no need of tools.



● **VERSION FOR PHOTOVOLTAIC APPLICATIONS**

The GA...D type switch disconnectors are suitable for both small domestic installations as well as those with a large number of solar cells. Use up to 1000V in DC21B category.

● **CERTIFICATIONS**

All GA series switch disconnectors are certified by EAC, cCSAus and UL Listed for Canada and USA. The 16A to 63A types are certified according to UL508/CSA 22.2 n° 14 while the 63A to 125A types to UL98/CSA 22.2 n° 4 standards.



● **SIDE MOUNT ADD-ON FOURTH POLE**

Simultaneous or early-make contact operation of the fourth pole with respect to the switch disconnector poles.



● **ADD-ON AUXILIARY CONTACTS**

One only add-on block suitable for all the 8 ratings of switch disconnectors, having simultaneous operation with the switch poles. There are versions with an early-break NO contact.

● **MAXIMUM COMBINATIONS**

Mounting up to 4 auxiliary contacts or 1 fourth pole and 3 auxiliary contacts (2 blocks always on the right and 2 on the left side) of each switch disconnector. The earth and neutral terminals and fuse holder also can be added.



● **6 AND 8 POLE VERSION**

A mechanical coupling system is available for the 16A to 125A switch disconnectors with direct operating handle to provide 6/8 pole disconnectors along with a mechanical interlock mechanism for the line changeover function (I - O - II). Enclosed changeover switches are available in a variety of ratings and cCSAus certified.



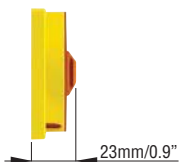
● **FUSE HOLDERS**



A three-pole fuse holder can be added to 16A to 32A switch disconnectors, with direct operating handle, to provide a single compact unit. Access to the fuse can be made only when the disconnector is in OFF position. UL Listed type up to 25A class CC fuses.

● **REDUCED HANDLE THICKNESS**

GAX61 and GAX 61 B handles are only 23mm/0.9" thick.



● **IP65 PADLOCKABLE HANDLES**

Wide range of selector or pistol grip handles, with screw or ring fixing. All handles are equipped with built-in padlockable mechanism. The selector handle GAX63... snaps onto the door-mount switch disconnectors in 16A to 40A ratings, with no need of tools.



● **HANDLE ADAPABILITY**

The extensive number of fixing holes in the front handle plate can replace switch disconnectors, normally found out in the field, without having to drill others.



● **DEFEATABLE UL508A HANDLE VERSION**

In compliance with UL508A standards, which require internal panel inspection by authorised personnel with power applied, selector and lever handles are available with defeatable feature of the door coupling when the switch disconnector is closed, i.e. in ON position.



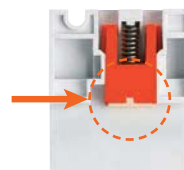
● **SWITCH STATUS INDICATION**

The switch open or closed state is clearly and unequivocally seen at a distance thanks to the simple and modern design of the handle.

● **DIN RAIL FIXING**

Switch disconnector mounting on and removal from the 35mm (IEC/EN 60715) DIN rail are done by simply pressing it downwards with no need of tools.

● **PAD INSERT FOR NO SLIDING**



A rubber pad insert prevents the sliding of switch disconnectors on the DIN rail even when out of tolerance or mounted vertically.

● **TERMINAL ADAPTABILITY**

Terminals are suitable to accept any type of cable: flexible, rigid, AWG wire. The terminals can withstand high tightening torques.

● **HIGH IEC CAPABILITY IN AC23**

The rated currents Ie in AC23 at 690VAC are the highest of the category.

● **MODULARITY**

The switch disconnectors can be mounted in modular panels.

### Three-pole switch disconnectors



GA016 A...  
GA040 A  
GA063 SA



GA063 A...  
GA125 A



GA016 C...  
GA040 C



GA063 C...  
GA125 C

Order code	IEC conventional free air thermal current Ith AC21A (≤690V)	IEC rated operational current Ie AC22A (≤690V) AC23A (≤415V)	Qty per pkg	Wt [kg]
	[A]	[A]	n°	[kg]

Direct operating version, complete with black handle.  
For door-coupling version, separately purchase the handle and shaft extension; refer to pages 11-9 and 11-10.

GA016 A	16	16	1	0.146
GA025 A	25	25	1	0.146
GA032 A	32	32	1	0.146
GA040 A	40	40	1	0.146
GA063 SA	63	45	1	0.148
GA063 A	63	63	1	0.388
GA080 A	80	80	1	0.388
GA100 A	100	100	1	0.388
GA125 A	125	125	1	0.388

Door-mount version, complete with shaft; separately purchase the handle, refer to pages 11-9.

GA016 C	16	16	1	0.170
GA025 C	25	25	1	0.170
GA032 C	32	32	1	0.170
GA040 C	40	40	1	0.170
GA063 C	63	63	1	0.404
GA080 C	80	80	1	0.404
GA100 C	100	100	1	0.404
GA125 C	125	125	1	0.404

#### Strokes of GA switch poles

	Travel 0 → 1	0°	30°	60°	90°
GA016 A...GA040 A - GA063SA				60°	
GA016 C...GA040 C				60°	
GA063 A...GA125 A				55°	
GA063 C...GA125 C				55°	

OFF ON

#### UL/CSA ratings

Type	1 phase [HP]		3 phase [HP]				General use at 600VAC [A]	Short-circuit rating at 600VAC [kA]	Fuse class - max rating at 600V Type - [A]
	120V	240V	200-208V	240V	480V	600V			
GA016...	1	2	5	5	10	10	16	5	RK5 - 20A
GA025...	1½	3	7½	7½	15	20	25	5	RK5 - 30A
GA032...	2	5	10	10	20	20	32	5	RK5 - 35A
GA040...	2	5	10	15	20	25	40	5	RK5 - 45A
GA063 SA	2	7½	10	15	30	30	60	5	RK5 - 45A

NOTE: Above ratings are valid for GA...A, GA...C and GA...D (on page 11-24) types, according to UL508 and CSA 22.2 n°14. UL Listed for USA and Canada (cULus - File E93602), as Manual Motor Controllers while UL designation is "GENERAL PURPOSE SWITCH, INTERRUPTEUR USAGE GENERAL" and "SUITABLE AS MOTOR DISCONNECT".

Type	1 phase [HP]		3 phase [HP]				General use at 600VAC [A]	Short-circuit rating at 600VAC [kA]	Max fuse rating at 600V [A]
	120V	240V	200-208V <sup>e</sup>	240V	480V	600V			
GA063... <sup>1</sup>	3	7½	20	20	40	40	60	10	100
GA080...	3	10	25	25	40	40	100	10	100
GA100...	5	10	30	30	50	50	100	10	100
GA125...	7½	10	30	30	60	60	100	10	100

NOTE: Above ratings are valid for GA...A, GA...C and GA...D (on page 11-24) types, according to UL98 and CSA 22.2 n°4. UL Listed for USA and Canada (cULus - File E328470), as Open Type Switches - Open type unfused switch while UL designation is "GENERAL PURPOSE SWITCH, INTERRUPTEUR USAGE GENERAL".

<sup>1</sup> Lower ratings in this same UL/CSA category are available on specific request for volume orders.

For information, consult Customer Service; see contact details on inside front cover.

<sup>e</sup> Voltage value not considered in UL98 / CSA 22.2 n°4 standards so not indicated in UL product marking.

#### General characteristics

- IEC 16A to 125A ratings
- Available versions:
  - Direct operating
  - Door mount
  - Door coupling version. Use switch disconnector with direct operating handle and separately purchase the handle and shaft extension for this version. See pages 11-9 and 11-10
- Compact and modular size
- Screw or 35mm DIN (IEC/EN 60715) rail fixing
- Padlockable in 0 position with no extra accessory.

#### Operational characteristics

- IEC rated insulation voltage Ui: 1000V
- IEC rated impulse withstand Uimp: 8kV
- Electrical life in IEC AC21A:
  - 100,000 cycles for GA016-GA040
  - 15,000 cycles for GA063 SA
  - 30,000 cycles for GA063-GA125
- Mechanical life:
  - 100,000 cycles for GA016-GA040-GA063 SA
  - 30,000 cycles for GA063-GA125.

#### Certifications and compliance

Certifications obtained:

Type	EAC	KEMA	cULus per UL508 / CSA C22.2 n°14 UL Listed (File E93602)	cULus per UL98 / CSA C22.2 n°4 UL Listed (File E328470)
GA016 A...GA040 A	●	●	●	—
GA063 SA	●	—	●	—
GA016 C...GA040 C	●	●	●	—
GA063 A...GA125 A	●	—	—	●
GA063 C...GA125 C	●	—	—	●

● Certification obtained.

Compliant with standards: IEC/EN 60947-1, IEC/EN 60947-3, UL508, UL98, CSA C22.2.

### Fourth pole add on



GAX42...A  
GAX41...A  
GAX42 063SA  
GAX41 063SA



GAX42 040C  
GAX41 040C

Order code	IEC conventional free air thermal current Ith AC21A <sup>ⓐ</sup> (≤690V)	IEC rated operational current Ie <sup>ⓑ</sup> AC22A (≤690V) AC23A (≤415V)	Qty per pkg	Wt
	[A]	[A]	n°	[kg]

Simultaneous closing operation as switch poles.  
For GA...A version.

GAX42 040A <sup>ⓐ</sup>	40	40	1	0.045
GAX42 063SA <sup>ⓐ</sup>	63	45	1	0.045
GAX42 063A	63	63	1	0.126
GAX42 080A	80	80	1	0.126
GAX42 100A	100	100	1	0.126
GAX42 125A	125	125	1	0.126

For GA...C version.

GAX42 040C <sup>ⓐ</sup>	40	40	1	0.045
GAX42 063C	63	63	1	0.128
GAX42 080C	80	80	1	0.128
GAX42 100C	100	100	1	0.128
GAX42 125C	125	125	1	0.128

Early-make closing operation with respect to switch poles.  
For GA...A version.

GAX41 040A <sup>ⓐ</sup>	40	40	1	0.046
GAX41 063SA <sup>ⓐ</sup>	63	45	1	0.046
GAX41 125A <sup>ⓐ</sup>	125	125	1	0.116

For GA...C version.

GAX41 040C <sup>ⓐ</sup>	40	40	1	0.046
GAX41 125C <sup>ⓐ</sup>	125	125	1	0.128

- ⓐ For GA016 A-GA040 A only.
- ⓑ For GA063 SA only.
- ⓒ For GA016 C-GA040 C only.
- ⓓ For GA063 A-GA125 A only.
- ⓔ For GA063 C-GA125 C only.
- ⓕ See page 11-4 for UL/CSA ratings which are the same as the corresponding switch types.

### Strokes of GA poles (switch and add-on pole)

	Travel 0 → 1	0°	30°	60°	90°
GA016A/C...GA040A/C - GA063SA Main poles				60°	
GAX42040A/C - GAX42063SA Simultaneous fourth-pole add on				60°	
GAX41040A/C-GAX41063SA Early-make fourth-pole add on				55°	
GA063A/C...GA125A/C Main poles				55°	
GAX42063A/C...GAX42125A/C Simultaneous fourth-pole add on				55°	
GAX41125A/C Early-make fourth-pole add on				48°	
		OFF			ON

### General characteristics

- IEC 16A to 125A ratings
- Available version for:
  - Direct operating
  - Door mount
  - Simultaneous closing with switch poles
  - Early-make closing respect with switch poles
- Compact and modular size.

### Operational characteristics

- IEC rated insulation voltage Ui: 1000V
- IEC rated impulse withstand Uimp: 8kV
- Electrical life in IEC AC21A:
  - 100,000 cycles for GAX42 040A/C and GAX41 040A/C
  - 15,000 cycles for GAX42 063SA and GAX41 063SA
  - 30,000 cycles for GAX42 063A/C and GAX41 125A/C
- Mechanical life:
  - 100,000 cycles for GAX42 040A/C and GAX41 040A/C, GAX42 063SA and GAX41 063SA
  - 30,000 cycles for GAX42 063A/C - GAX42 125A/C and GAX41 125A/C.

### Certifications and compliance

Certifications obtained:

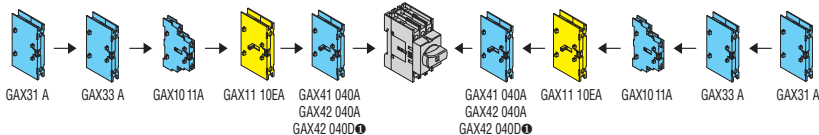
Type	EAC	cULus per UL508 / CSA C22.2 n°14 UL Listed (File E93602)	cULus per UL98 / CSA C22.2 n°4 UL Listed (File E328470)
GAX41 040A-GAX42 040A	●	●	—
GAX41 063SA-GAX42 063SA	●	●	—
GAX41 040C-GAX42 040C	●	●	—
GAX41 125A-GAX42 125C	●	—	●
GAX42 063A...GAX42 125A	●	—	●
GAX42 063C...GAX42 125C	●	—	●

● Certification obtained.

Compliant with standards: IEC/EN 60947-1, IEC/EN 60947-3, UL508, UL98, CSA C22.2.

### Maximum combination

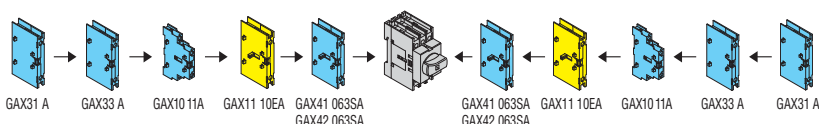
**GA016 A...GA040 A** Sequence and maximum combination of add-on blocks on direct operating switch disconnectors  
**GA040 D**



1	1	1	—	1	GA016 A GA025 A GA032 A GA040 A	—	—	2	1	1
1	1	2	—	—		—	1	1	1	1
1	1	1	—	1		—	—	1	1	1
1	1	1	1	—		—	1	—	2	1
1	1	1	1	—		—	—	1	1	1
1	1	2	—	—		—	—	—	2	1
1	1	—	—	—		—	—	—	2	1
1	1	—	—	—		—	1	—	—	1
1	1	—	—	1		—	—	—	—	1
1	1	—	—	—		—	—	—	—	1

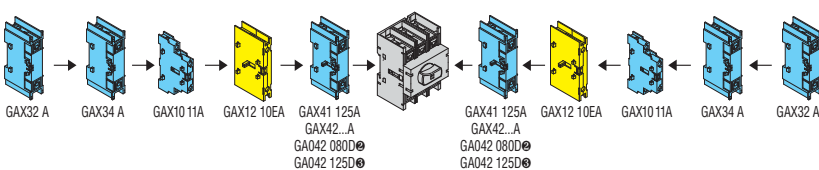
① GAX42 040D can be used with GA040 D switch only.

**GA063 SA**



1	1	1	—	1	GA063 SA	—	—	2	1	1	
1	1	2	—	—		—	1	—	1	1	1
1	1	1	—	1		—	—	1	1	1	1
1	1	1	1	—		—	1	—	1	1	1
1	1	1	1	—		—	—	—	2	1	1
1	1	2	—	—		—	—	1	1	1	1
1	1	2	—	—		—	—	—	2	1	1
1	1	—	—	—		—	1	—	—	—	1
1	1	—	—	1		—	—	—	—	1	1
1	1	—	—	—		—	—	—	—	1	1

**GA063 A...GA125 A**  
**GA080 D, GA125 D**

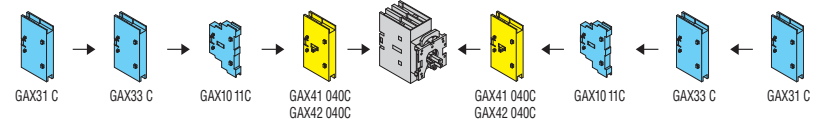


—	—	1	—	1	GA063 A GA080 A GA100 A GA125 A	—	—	2	—	—	
—	—	2	—	—		—	1	—	1	—	—
—	—	1	—	1		—	—	1	1	—	—
—	—	1	1	—		—	1	—	2	—	—
—	—	2	—	—		—	—	1	1	—	—
—	—	2	—	—		—	—	—	2	—	—
1	1	—	—	—		—	1	—	—	1	1
1	1	—	—	1		—	—	—	—	1	1
1	1	—	—	—		—	—	—	—	1	1
1	1	—	—	—		—	—	—	—	1	1

② GAX42 080D can be used with GA080 D switch only.

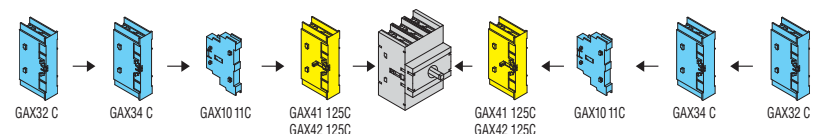
③ GAX42 125D can be used with GA125 D switch only.

**GA016 C...GA040 C** Sequence and maximum combination of add-on blocks on door mount switch disconnectors



1	1	1	1	GA016 C GA025 C GA032 C GA040 C	—	1	1	1
1	1	1	—		1	1	1	1
1	1	1	—		—	1	—	1
1	1	1	1		—	—	1	1
1	1	—	—		—	—	1	1

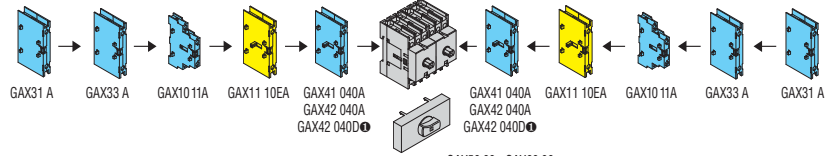
**GA063 C...GA125 C**



—	—	1	—	1	GA063 C GA080 C GA100 C GA125 C	—	1	—	—	
—	—	1	—	—		—	1	—	—	—
1	1	—	—	1		—	—	1	—	—
—	—	1	—	—		—	1	—	1	1
—	—	1	—	—		—	—	1	—	—

**GA016 A...GA040 A  
GA040 D  
+ GAX50 00 -  
GAX60 00**

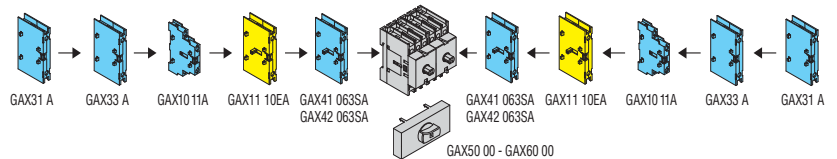
Sequence and maximum combination for mechanical coupling and mechanical interlock for line changeover



1	1	1	—	1	GA016 A + GA016 A GA025 A + GA025 A GA032 A + GA032 A GA040 A + GA040 A GA040 D + GA040 D ①	1	—	1	1	1	
1	1	1	—	1		—	—	2	1	1	
1	1	2	—	—		1	—	1	1	1	
1	1	1	—	1		—	1	1	1	1	
1	1	1	1	—		1	—	1	1	1	
1	1	1	1	—		—	—	2	1	1	
1	1	2	—	—		—	1	1	1	1	
1	1	2	—	—		—	—	2	1	1	
1	1	—	—	1		—	1	—	—	1	1
1	1	—	—	—		—	—	—	—	1	1

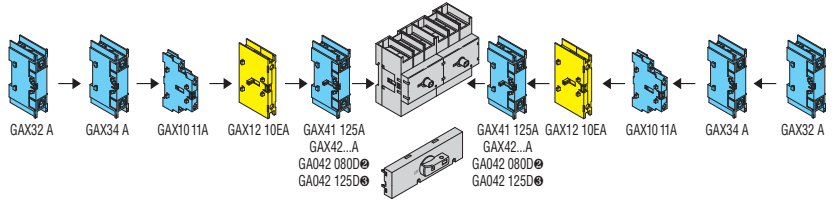
① GAX42 040D can be used with GA040 D switch only.

**GA063 SA  
+ GAX50 00 -  
GAX60 00**



1	1	1	—	1	GA063SA + GA063SA	1	—	1	1	1	
1	1	1	—	1		—	—	2	1	1	
1	1	2	—	—		1	—	1	1	1	
1	1	1	—	1		—	1	1	1	1	
1	1	1	1	—		1	—	1	1	1	
1	1	1	1	—		—	—	2	1	1	
1	1	2	—	—		—	1	1	1	1	
1	1	2	—	—		—	—	2	1	1	
1	1	—	—	1		—	1	—	—	1	1
1	1	—	—	—		—	—	—	—	1	1

**GA063 A...GA125 A  
GA080 D, GA125 D  
+ GAX50 01 -  
GAX60 01**



—	—	1	—	1	GA063 A + GA063 A GA080 A + GA080 A GA100 A + GA100 A GA125 A + GA125 A GA080 D + GA080 D ② GA125 D + GA125 D ③	1	—	1	—	—	
—	—	1	—	1		—	—	2	—	—	
—	—	2	—	—		1	—	1	—	—	
—	—	1	—	1		—	1	—	1	—	
—	—	1	1	—		—	—	2	—	—	
—	—	2	—	—		—	1	1	—	—	
—	—	2	—	—		—	—	2	—	—	
1	1	—	—	1		—	1	—	—	1	1
1	1	—	—	—		—	—	—	—	1	1

② GAX42 080D can be used with GA080 D switch only.

③ GAX42 125D can be used with GA125 D switch only.



### Add-on blocks



Order code	Characteristics	Qty per pkg	Wt
		n°	[kg]
Auxiliary contacts, simultaneous operation as switch poles.			
<b>GAX10 11A</b>	1NO+1NC for GA...A, GA063 SA and GA...D	1	0.030
<b>GAX10 11C</b>	1NO+1NC for GA...C	1	0.030
Auxiliary contacts, early-break operation with respect to switch poles.			
<b>GAX11 10EA</b>	1EB (NO) for GA016 A-GA040 A, GA063 SA and GA040 D	1	0.035
<b>GAX12 10EA</b>	1EB (NO) for GA063 A-GA125 A, GA080 D and GA125 D	1	0.035
Neutral terminal.			
<b>GAX31 A</b>	For GA016 A-GA040 A, GA063 SA and GA040D	1	0.040
<b>GAX32 A</b>	For GA063 A-GA125 A and GA080 D - GA125 D	1	0.110
<b>GAX31 C</b>	For GA016 C-GA040 C	1	0.040
<b>GAX32 C</b>	For GA063 C-GA125 C	1	0.110
Earth/Ground terminal.			
<b>GAX33 A</b>	For GA016 A-GA040 A, GA063 SA and GA...D	1	0.040
<b>GAX34 A</b>	For GA063 A-GA125 A and GA080 D - GA125 D	1	0.110
<b>GAX33 C</b>	For GA016 C-GA040 C	1	0.040
<b>GAX34 C</b>	For GA063 C-GA125 C	1	0.110
Mechanical interlock for line changeover (I-0-II).			
<b>GAX50 00</b>	For GA016 A-GA040 A, GA063 SA, GA...D and GAX67 B; □ 5mm/0.2" ①	1	0.050
<b>GAX50 01</b>	For GA063 A-GA125 A, GA080 D GA125 D and GAX67 B; □ 5mm/0.2" ①	1	0.075
Mechanical coupling system for 6-8 pole switch disconnectors.			
<b>GAX60 00</b>	For GA016 A-GA040 A, GA063 SA and GA...D; □ 5mm/0.2" ①	1	0.050
<b>GAX60 01</b>	For GA063 A-GA125 A, GA080 D, GA125 D; □ 7mm/0.3" ②	1	0.075

- ① Use GAX7... shaft extensions.
- ② Use GAX66.. handles and GAX7... A extensions for a door-coupling version.

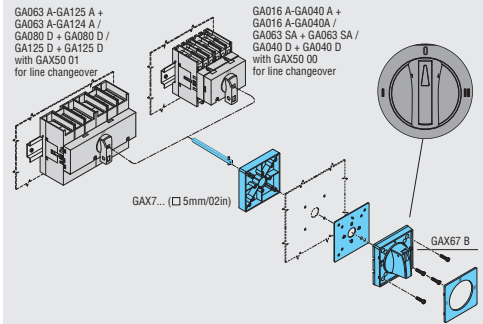
### Operational characteristics of auxiliary contacts

- IEC conventional free air thermal current Ith: 10A
- UL/CSA and IEC/EN 60947-5-1 designation: A600-Q600
- Tightening torque: 0.8Nm/7.1lbin.

### Operational characteristics for other devices

- Tightening torque:
  - GAX31A/C-GAX33A/C terminals: 1.8-2Nm/16-18lbin
  - GAX32A/C-GAX34A/C terminals: 5-6Nm/45-54lbin
  - GAX5000/5001-GAX6000/6001 fixing: 0.5Nm/4.4lbin; extension with handle: 0.8Nm/7.1lbin.

### Transformation of direct operating version into door coupling type



### Certifications and compliance

Certifications obtained:

Type	EAC	cULus per UL508 / CSA C22.2 n°14 UL Listed (File E93602)	cULus per UL98 / CSA C22.2 n°4 UL Listed (File E328470)
GAX10 11A - GAX10 11C	●	Ⓢ	—
GAX11 10EA	●	Ⓢ	—
GAX12 10EA	●	Ⓢ	—
GAX31 A - GAX31 C	●	●	—
GAX32 A - GAX32 C	●	—	●
GAX33 A - GAX33 C	●	●	—
GAX34 A - GAX34 C	●	—	●
GAX50 00 - GAX60 00	●	●	—
GAX50 01 - GAX60 01	●	—	●
GAX61-GAX61 B	●	●	●
GAX62-GAX62 B	●	●	●
GAX63-GAX63 B	●	●	●
GAX63 1B	●	—	—
GAX63 2-GAX63 2B	●	●	●
GAX64-GAX64 B	●	—	●
GAX66-GAX66 B	●	—	●
GAX67 B	●	●	●
GAX60 B	●	—	●

- Certification obtained.
- Ⓢ UL Listed - cULus File E93601.

NOTE: GAX61/61B and GAX66/66B are UL/CSA Type 1, 4, 4X outdoor use with all GA switch types. GAX62/62B, GAX63/63B, GAX632/2B, GAX64/64B and GAX67B are UL/CSA Type 1, 4, 4X outdoor use with GA016A/C-GA040A/C and GA063SA types, otherwise Type 1 only.

Compliant with standards: IEC/EN 60947-1, IEC/EN 60947-3, IEC/EN 60947-5-1, UL508, UL98, CSA C22.2.

### Strokes of GA poles (switch with auxiliary contact blocks)

	Travel 0→1	0°	30°	60°	90°
GA016A/C...GA040A/C - GA063SA Main poles				60°	
GAX10 11A - GAX10 11C Auxiliary contacts (1NO+1NC)				60°	
	NO				
	NC				
GAX11 10EA Auxiliary contact (1EB - NO early break)		40°		60°	
	Travel 0→1				
	Travel 1→0			70°	
GA063A/C...GA125A/C Main poles				55°	
GAX10 11A - GAX10 11C Auxiliary contacts (1NO+1NC)				45°	
	NO				
	NC				
GAX12 10EA Auxiliary contact (1EB - NO early break)		25°		55°	
	Travel 0→1				
	Travel 1→0			65°	
	OFF				ON

### Strokes of GA...D types (switch and add-on blocks)

	Travel 0→1	0°	30°	60°	90°
GA040 D Main poles				60°	
GA042 040D Simultaneous fourth-pole add on				60°	
GAX10 11A Auxiliary contacts (1NO+1NC)				60°	
	NO				
	NC				
GAX11 10EA Auxiliary contact (1EB - NO early break)		40°		60°	
	Travel 0→1				
	Travel 1→0			70°	
GA080 D - GA125 D Main poles				55°	
GAX42 080D - GAX42 125D Simultaneous fourth-pole add on				55°	
GAX10 11A - GAX10 11C Auxiliary contacts (1NO+1NC)				45°	
	NO				
	NC				
GAX12 10EA Auxiliary contact (1EB - NO early break)		25°		55°	
	Travel 0→1				
	Travel 1→0			65°	
	OFF				ON

### Rotary handles



GAX61



GAX62



GAX66



GAX63 B



GAX63 2B  
Low profile



GAX67 B

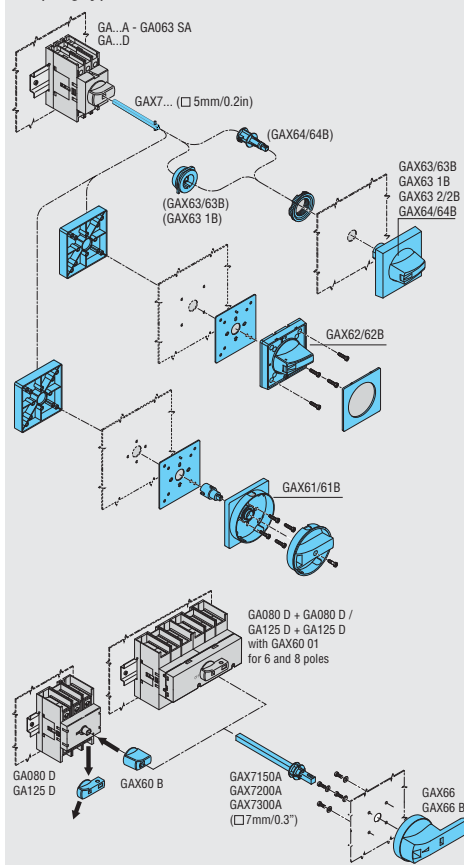
- ① For GA...A and GA...D switch disconnectors, separately purchase GAX7... shaft extensions.
- ② Snap-on fixing of GA016-GA040C switch disconnectors with the handle.
- ③ Separately purchase GAX7...A shaft extension and GAX60 B handle having a 7mm/0.3" square section, nor required for GAX60 01.

Order code	Characteristics	Qty per pkg	Wt
		n°	[kg]
<b>DOOR COUPLING HANDLES, PADLOCKABLE.</b> Red/yellow, rotating.			
GAX61	For GA...A, GA063 SA, GA...C and GA...D. Screw fixing. Recessed selector. □ 5mm/0.2" ①. IEC IP65/UL Type 4X	1	0.073
GAX62	For GA...A, GA063 SA, GA...C and GA...D. Screw fixing. Protruding selector. □ 5mm/0.2" ①. IEC IP65/UL Type 4X	1	0.072
GAX63	For GA...A, GA063 SA, GA016 C - GA040 C and GA...D. Ring fixing. Protruding selector. □ 5mm/0.2" ①②. IEC IP65/UL Type 4X	1	0.068
GAX63 2	For GA...A, GA063 SA, and GA...D. Low-profile ring fixing. Protruding selector. □ 5mm/0.2" ①. IEC IP65/UL Type 4X	1	0.057
GAX64	For GA...A, GA063 SA, and GA...D. Ring fixing. Protruding selector with release, defeatable per UL508A; □ 5mm/0.2" ①. IEC IP65/UL Type 4X	1	0.064
GAX66	For GA063 A-GA125 A, GA080 D, GA125 D and GAX60 01. Screw fixing. Pistol grip with release, defeatable per UL508A; □ 7mm/0.3" ③. IEC IP66/UL Type 4X	1	0.140
Black, rotating.			
GAX61 B	For GA...A, GA063 SA, GA...C and GA...D. Screw fixing. Recessed selector. □ 5mm/0.2" ①. IEC IP65/UL Type 4X	1	0.073
GAX62 B	For GA...A, GA063 SA, GA...C and GA...D. Screw fixing. Protruding selector. □ 5mm/0.2" ①. IEC IP65/UL Type 4X	1	0.072
GAX63 B	For GA...A, GA063 SA, GA016 C - GA040 C and GA...D. Ring fixing. Protruding selector. □ 5mm/0.2" ①②. IEC IP65/UL Type 4X	1	0.068
GAX63 1B	For GA...A, GA063 SA, GA016 C-GA040 C and GA...D. Ring fixing. Protruding selector, padlockable at ON (per UNI 9490 and UNI EN 12845 - firefighting systems); □ 5mm/0.2" ①②. IEC IP65/UL Type 4X	1	0.074
GAX63 2B	For GA...A, GA063 SA and GA...D. Low-profile ring fixing. Protruding selector. □ 5mm/0.2" ①. IEC IP65/UL Type 4X	1	0.057
GAX64 B	For GA...A, GA063 SA and GA...D. Ring fixing. Protruding selector with release, defeatable per UL508A. □ 5mm/0.2" ①. IEC IP65/UL Type 4X	1	0.064
GAX66 B	For GA063 A-GA125 A and GA080 D-GA125 D and GAX60 01. Screw fixing. Pistol grip with release, defeatable per UL508A; □ 7mm/0.3" ③. IEC IP66/UL Type 4X	1	0.140
GAX67 B	For GAX50... mechanical interlock mechanism (I-O-II). □ 5mm/0.2" ①. IEC IP65/UL Type 4X	1	0.078
<b>ACCESSORIES FOR DOOR COUPLING CONTROL.</b> For GAX66 and GAX66 B handles.			
GAX60 B	Adapter □ 7mm/0.3" for GA063 A-GA125 A, GA080 D and GA125 D	1	0.010

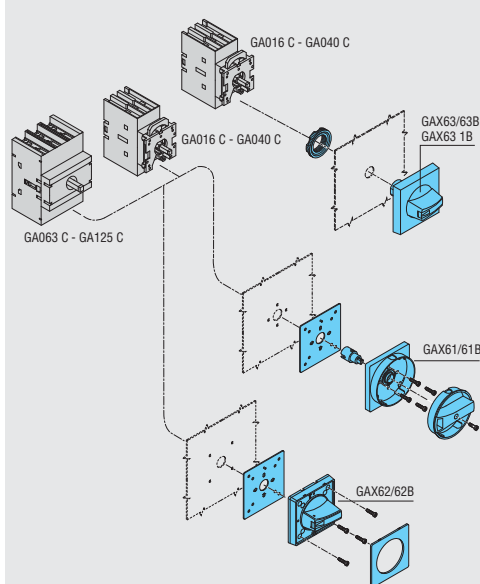
### Operational characteristics

- Choice of handle fixing: ring or screw
- Fixing handle interaxis: 36x36mm/1.4x1.4" or 48x48mm/1.9x1.9" for GAX61/61B-GAX62/62B-GAX67B; 36x36mm/1.4x1.4" for GAX66/66B
- Compatible with pre-existing drillings of most common types on marketplace
- 1 to 3 padlocks (Ø4-8mm/Ø0.2-0.3") for all handles
- Tightening torque:
  - Fixing ring types: 2.3Nm/20.4lbin
  - GAX60B: 0.8Nm/7lbin
  - GAX66/66B: 1.5Nm/13.3lbin
  - All others: 1Nm/9lbin
- Degree of protection: IEC/EN IP65 for all except GAX66/66B with IP66; for UL/CSA ratings, see note details on page 11-8.

### Transformation of direct operating version into door coupling type



### Door-mount version



### Certifications and compliance

See the table on page 11-8 for details.

#### Shaft extensions Terminal covers Fuse holders/blocks



GAX7...



GAX7... A



GAX8...



GAX39 1

Order code	Characteristics	Qty per pkg	Wt
		n°	[kg]

Shaft extension for door-coupling handles GAX61-GAX64, GAX61 B-GAX64 B, GAX67 B and mechanical interlock type GAX50 00, GAX50 01 and coupling system GAX60 00.

<b>GAX7 055</b>	55mm long; □ 5mm/0.2"	1	0.012
<b>GAX7 070</b>	70mm long; □ 5mm/0.2"	1	0.014
<b>GAX7 090</b>	90mm long; □ 5mm/0.2"	1	0.018
<b>GAX7 150</b>	150mm long; □ 5mm/0.2"	1	0.032
<b>GAX7 200</b>	200mm long; □ 5mm/0.2"	1	0.040
<b>GAX7 300</b>	300mm long; □ 5mm/0.2"	1	0.068
<b>GAX7 400</b>	400mm long; □ 5mm/0.2"	1	0.072
<b>GAX7 500</b>	500mm long; □ 5mm/0.2"	1	0.090

Shaft extension for door-coupling handles GAX66, GAX66 B and mechanical coupling system GAX60 01.

<b>GAX7 150A</b>	150mm long; □ 7mm/0.3"	1	0.090
<b>GAX7 200A</b>	200mm long; □ 7mm/0.3"	1	0.112
<b>GAX7 300A</b>	300mm long; □ 7mm/0.3"	1	0.160

Set of 2 one-pole terminal covers for fourth pole.

<b>GAX81</b>	For GAX42 040A, GAX42 040C, GAX42 040D, GAX41 040A, GAX41 040C, GAX41 063SA, GAX42 063SA	1	0.009
<b>GAX82</b>	For GAX42 063A-GAX42 125A, GAX42 063C-GAX42 125C, GAX42 080D, GAX42 125D, GAX41 125A, GAX41 125C	1	0.012

Set of 2 three-pole terminal covers.

<b>GAX83</b>	For GA016 A-GA040 A, GA063 SA, GA016 C-GA040 C, GA040 D	1	0.018
<b>GAX84</b>	For GA063 A-GA125 A, GA063 C-GA125 C, GA080 D, GA125 D	1	0.030

Fuse holder/block for switch disconnectors.

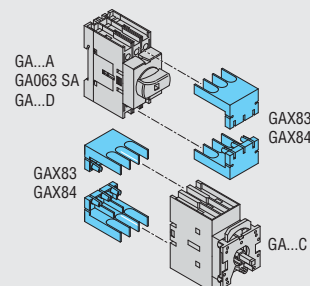
<b>GAX39 1</b>	For GA016 A-GA032 A Suitable for 10.3x38 fuse size	1	0.132
<b>GAX39 1UL</b>	For GA016 A-GA025 A Suitable for Class CC fuses	1	0.135

#### Operational characteristics of fuse holder

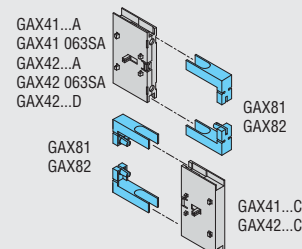
- IEC rated insulation voltage  $U_i$ : 1000V
- IEC rated impulse withstand voltage  $U_{imp}$ : 8kV
- The fuse holder/block connects directly to the switch disconnectors.
- Access to fuses only when the switch disconnectors are in OFF position.

#### Terminal covers

For switch disconnectors



For fourth pole



#### Certifications and compliance

Certifications obtained:

Type	EAC	cULus per UL508 / CSA C22.2 n°14 UL Listed (File E93602)	cULus per UL98 / CSA C22.2 n°4 UL Listed (File E328470)
GAX7 055...GAX7 500	●	●	●
GAX7 150A ... GAX7 300A	●	—	●
GAX81-GAX83	●	●	—
GAX82-GAX84	●	—	●
GAX39 1	●	—	—
GAX39 1UL	—	●	—

● Certification obtained.

Compliant with standards: IEC/EN 60947-1, IEC/EN 60947-3, UL508, UL98, CSA C22.2.

### IEC/EN type IP65



GAZ1



GAZ2



GAZ3

**new**

**new**

Order code	Description	Qty per pkg	Wt
		n°	[kg]

For switch disconnectors.  
With rotating red/yellow handle. Complete with shaft extension.

<b>GAZ1</b>	For GA016 A-GA040 A and GA040 D	1	0.320
<b>GAZ2</b>	For GA063 SA, GA063 A-GA100 A and GA080 D	1	0.780
<b>GAZ3</b>	For GA125 A and GA125 D	1	1.900
With rotating black handle. Complete with shaft extension.			
<b>GAZ1 B</b>	For GA016 A-GA040 A and GA040 D	1	0.320
<b>GAZ2 B</b>	For GA063 SA, GA063 A-GA100 A and GA080 D	1	0.780
<b>GAZ3 B</b>	For GA125 A and GA125 D	1	1.900

The empty enclosures are supplied with the following accessories:

Enclosure	GAZ1 GAZ1B	GAZ2 GAZ2B	GAZ3 GAZ3B
Red/yellow handle	GAX61	GAX61	GAX61
Black handle	GAX61B	GAX61B	GAX61B
Extension	1	1	1
Neutral plate terminal	1	1	-
Earth/Ground plate terminal	1	1	-

#### General characteristics

- Enclosure material: ABS
- Padlockable handle
- Sealable cover
- For GAZ3/3B if any earth/ground and/or neutral terminal required, separately purchase types GAX3... given on page 11-8
- Tightening torque for cover screws:
  - GAZ1/1B: 1.3Nm/16lbin
  - Other types: 1.5Nm/13lbin
- IEC/EN degree of protection: IP65
- Cable entry:
  - GAZ1/1B: PG16/M25 and PG13.5/M20 knockouts
  - GAX2/2B: PG29/M32 and PG16/M25 knockouts
  - GAZ3/3B: Smooth surfaces; can be drilled by customer.

#### Certifications and compliance

Certifications obtained: EAC.  
Compliant with standards: IEC/EN 60947-1, IEC/EN 60947-3.

### UL/CSA Type 4/4X



GAZ1 UL



GAZ2 UL



GAZ3 UL

**new**

Order code	Description	Qty per pkg	Wt
		n°	[kg]

For switch disconnectors.  
With rotating red/yellow handle. Complete with shaft extension.

<b>GAZ1 UL</b>	For GA016 A-GA040 A and GA040D	1	0.320
<b>GAZ2 UL</b>	For GA063 SA and GA063 A	1	0.730
<b>GAZ3 UL</b>	For GA080 A-GA125 A, GA080 D and GA125 D	1	1.900
With rotating black handle. Complete with shaft extension.			
<b>GAZ1 B UL</b>	For GA016 A-GA040 A and GA040D	1	0.320
<b>GAZ2 B UL</b>	For GA063 SA and GA063 A	1	0.730
<b>GAZ3 B UL</b>	For GA080 A-GA125 A, GA080 D and GA125 D	1	1.900

The empty enclosures are supplied with the following accessories:

Enclosure	GAZ1UL GAZ1BUL	GAZ2UL GAZ2BUL	GAZ3UL GAX3BUL
Red/yellow handle	GAX61	GAX61	GAX61
Black handle	GAX61B	GAX61B	GAX61B
Extension	1	1	1
Neutral plate terminal	1	1	1
Earth/Ground plate terminal	1	1	1

#### General characteristics

- Enclosure material: Polycarbonate
- Padlockable handle
- Sealable cover
- Tightening torque for enclosure screws:
  - GAZ1/1B UL: 1.3Nm/16lbin for cover; 1.2Nm/11lbin for plate terminals
  - Other types: 1.5Nm/13lbin for cover; 1.2Nm/11lbin for plate terminals
- UL/CSA degree of protection: Type 1, 4 and 4X indoor use only for GAZ1 UL; not available for others / testing pending completion at time of catalogue printing
- Cable entry:
  - GAZ1/1B UL: PG16/M25 and PG13.5/M20 knockouts
  - GAX2/2B UL: PG29/M32 and PG16/M25 knockouts
  - GAZ3/3B UL: Smooth surfaces; can be drilled by customer.

#### Certifications and compliance

Certifications obtained: EAC, UL Listed for USA and Canada (cULus – file E93602) as Polymeric Enclosures for Manual Motor Controllers; cCSAus pending for GAZ2/2B UL and GAZ3/3B UL at time of catalogue printing.  
Compliant with standards: IEC/EN 60947-1, IEC/EN 60947-3, UL508, CSA C22.2 n°14, UL98, CSA C22.2 n°4.

#### IEC/EN type IP65 non-metallic enclosure



GAZ016...GAZ040...

new



GAZ063...100 C

new



GAZ125...

new

new

Order code	IEC conventional free air thermal current Ith AC21A (≤690V)	Qty per pkg	Wt
	[A]	n°	[kg]

THREE POLE.  
With rotating red/yellow handle.

GAZ016	16	1	0.450
GAZ025	25	1	0.450
GAZ032	32	1	0.450
GAZ040	40	1	0.450
GAZ063 SA	63	1	0.870
GAZ063 C	63	1	1.220
GAZ080 C	80	1	1.220
GAZ100 C	100	1	1.220
GAZ125	125	1	2.220

With rotating black handle.

GAZ016 B	16	1	0.450
GAZ025 B	25	1	0.450
GAZ032 B	32	1	0.450
GAZ040 B	40	1	0.450
GAZ063 SAB	63	1	0.870
GAZ063 CB	63	1	1.220
GAZ080 CB	80	1	1.220
GAZ100 CB	100	1	1.220
GAZ125 B	125	1	2.220

FOUR POLE.  
With rotating red/yellow handle.

GAZ016 T4	16	1	0.550
GAZ032 T4	32	1	0.550
GAZ063 CT4	63	1	1.250
GAZ100 CT4	100	1	1.250
GAZ125 T4	125	1	2.500

With rotating black handle.

GAZ016 T4B	16	1	0.550
GAZ032 T4B	32	1	0.550
GAZ063 CT4B	63	1	1.250
GAZ100 CT4B	100	1	1.250
GAZ125 T4B	125	1	2.500

#### Components

Enclosure	Switch disconnector	Handle
GAZ1	GA016 A	GAX61
GAZ1	GA025 A	GAX61
GAZ1	GA032 A	GAX61
GAZ1	GA040 A	GAX61
GAZ2	GA063 SA	GAX61
GAZ2	GA063 A	GAX61
GAZ2	GA080 A	GAX61
GAZ2	GA100 A	GAX61
GAZ3	GA125 A	GAX61

GAZ1 B	GA016 A	GAX61 B
GAZ1 B	GA025 A	GAX61 B
GAZ1 B	GA032 A	GAX61 B
GAZ1 B	GA040 A	GAX61 B
GAZ2 B	GA063 SA	GAX61 B
GAZ2 B	GA063 A	GAX61 B
GAZ2 B	GA080 A	GAX61 B
GAZ2 B	GA100 A	GAX61 B
GAZ3 B	GA125 A	GAX61 B

Enclosure	Switch disconnector	Fourth pole	Handle
GAZ1	GA016 A	GAX42040A	GAX61
GAZ1	GA032 A	GAX42040A	GAX61
GAZ2	GA063 A	GAX42063A	GAX61
GAZ2	GA100 A	GAX42100A	GAX61
GAZ3	GA125 A	GAX42125A	GAX61

GAZ1 B	GA016 A	GAX42040A	GAX61 B
GAZ1 B	GA032 A	GAX42040A	GAX61 B
GAZ2 B	GA063 A	GAX42063A	GAX61 B
GAZ2 B	GA100 A	GAX42100A	GAX61 B
GAZ3 B	GA125 A	GAX42125A	GAX61 B

#### General characteristics

- Enclosure material: ABS
- For four-pole types not indicated, separately purchase corresponding fourth pole GAX42...A and install on enclosed 3-pole version
- Possible accessories to mount afterwards, if any required:
  - GAZ016-GAZ040 types: 1 contact block both on the right and left disconnector side unless 4th pole is installed
  - All other types: 2 contact blocks both on the right and left disconnector side unless 4th pole is installed
  - For GAZ125 types: if any earth/ground and/or neutral terminal required, separately purchase types GAX3... given on page 11-8
- Padlockable handle
- Sealable cover
- Tightening torque for cover screws:
  - GAZ016-GAZ040 types: 1.3Nm/16lbin
  - All other types: 1.5Nm/13lbin
- IEC/EN degree of protection: IP65
- Cable entry:
  - GAZ016-GAZ040 types: PG16/M25 and PG13.5/M20 knockouts
  - GAZ063SA-GAZ100 types: PG29/M32 and PG16/M25 knockouts
  - GAZ125 types: Smooth surfaces; can be drilled by customer.

#### Certifications and compliance

Certifications obtained: EAC.  
Compliant with standards: IEC7EN 60947-1, IEC/EN 60947-3.

# Switch disconnectors

## GA series 16A to 125A

### Enclosed switch disconnectors

### UL/CSA Type 4/4X non-metallic enclosure



GAZ016...GAZ040...UL



GAZ063 SAB UL  
GAZ063 CB UL



GAZ100 UL - GAZ125 UL

#### UL/CSA ratings

Type	1 phase [HP]		3 phase [HP]				General use at 600VAC	Short-circuit rating at 600VAC	Fuse class - max rating at 600V
	120V	240V	200-208V	240V	480V	600V			
GAZ016...	1	2	5	5	10	10	16	5	RK5 - 20A
GAZ025...	1½	3	7½	7½	15	20	25	5	RK5 - 30A
GAZ032...	2	5	10	10	20	20	32	5	RK5 - 35A
GAZ040...	2	5	10	15	20	25	40	5	RK5 - 45A
GAZ063S...	2	7½	10	15	30	30	60	5	RK5 - 45A

NOTE: Above ratings are valid for GAZ016 - GAZ063S...UL types, according to UL508 and CSA 22.2 n°14. UL Listed for USA and Canada (cULus - File E93602), as Manual Motor Controllers while UL designation is "GENERAL PURPOSE SWITCH. INTERRUPTEUR USAGE GENERAL" and "SUITABLE AS MOTOR DISCONNECT"; GAZ063S... pending.

Type	1 phase [HP]		3 phase [HP]				General use at 600VAC	Short-circuit rating at 600VAC	Max fuse rating at 600V
	120V	240V	200-208V <sup>②</sup>	240V	480V	600V			
GAZ063C...	3	7½	20	20	40	40	60	10	100
GAZ080...	3	10	25	25	40	40	100	10	100
GAZ100...	5	10	30	30	50	50	100	10	100
GAZ125...	7½	10	30	30	60	60	100	10	100

NOTE: Above ratings are valid for GAZ063C - GAZ125... types, according to UL98 and CSA C22.2 n°4. For indication and reference purposes only while cCSAus is pending.

① Lower ratings in this same UL/CSA category are available on specific request for volume orders. For information, consult Customer Service; see contact details on inside front cover.

② Voltage value not considered in UL98 / CSA 22.2 n°4 standards.

Order code	Description	Qty per pkg	Wt
		n°	[kg]

THREE POLE.  
With rotating red/yellow handle.

GAZ016 UL	16	1	0.450
GAZ025 UL	25	1	0.450
GAZ032 UL	32	1	0.450
GAZ040 UL	40	1	0.450
GAZ063 SA UL	63	1	0.870
GAZ063 CUL	63	1	1.220
GAZ080 UL	80	1	2.220
GAZ100 UL	100	1	2.220
GAZ125 UL	125	1	2.220

With rotating black handle.

GAZ016 BUL	16	1	0.450
GAZ025 BUL	25	1	0.450
GAZ032 BUL	32	1	0.450
GAZ040 BUL	40	1	0.450
GAZ063 SAB UL	63	1	0.870
GAZ063 CB UL	63	1	1.220
GAZ080 B UL	80	1	2.220
GAZ100 B UL	100	1	2.220
GAZ125 B UL	125	1	2.220

FOUR POLE.  
With rotating red/yellow handle.

GAZ016 T4 UL	16	1	0.550
GAZ032 T4 UL	32	1	0.550
GAZ063 CT4 UL	63	1	1.150
GAZ100 T4 UL	100	1	2.500
GAZ125 T4 UL	125	1	2.500

With rotating black handle.

GAZ016 T4B UL	16	1	0.550
GAZ032 T4B UL	32	1	0.550
GAZ063 CT4B UL	63	1	1.150
GAZ100 T4B UL	100	1	2.500
GAZ125 T4B UL	125	1	2.500

#### Components

Enclosure	Switch disconnector	Handle
GAZ1 UL	GA016 A	GAX61
GAZ1 UL	GA025 A	GAX61
GAZ1 UL	GA032 A	GAX61
GAZ1 UL	GA040 A	GAX61
GAZ2 UL	GA063 SA	GAX61
GAZ2 UL	GA063 A	GAX61
GAZ3 UL	GA080 A	GAX61
GAZ3 UL	GA100 A	GAX61
GAZ3 UL	GA125 A	GAX61

GAZ1 B UL	GA016 A	GAX61 B
GAZ1 B UL	GA025 A	GAX61 B
GAZ1 B UL	GA032 A	GAX61 B
GAZ1 B UL	GA040 A	GAX61 B
GAZ2 B UL	GA063 SA	GAX61 B
GAZ2 B UL	GA063 A	GAX61 B
GAZ3 B UL	GA080 A	GAX61 B
GAZ3 B UL	GA100 A	GAX61 B
GAZ3 B UL	GA125 A	GAX61 B

Enclosure	Switch disconnector	Fourth pole	Handle
GAZ1 UL	GA016 A	GAX42040A	GAX61
GAZ1 UL	GA032 A	GAX42040A	GAX61
GAZ2 UL	GA063 A	GAX42063A	GAX61
GAZ3 UL	GA100 A	GAX42100A	GAX61
GAZ3 UL	GA125 A	GAX42125A	GAX61

GAZ1 B UL	GA016 A	GAX42040A	GAX61 B
GAZ1 B UL	GA032 A	GAX42040A	GAX61 B
GAZ2 B UL	GA063 A	GAX42063A	GAX61 B
GAZ3 B UL	GA100 A	GAX42100A	GAX61 B
GAZ3 B UL	GA125 A	GAX42125A	GAX61 B

#### General characteristics

- Enclosure material: Polycarbonate
- For four-pole types not indicated, separately purchase corresponding fourth pole GAX42...A and install on enclosed 3-pole UL-suffix version
- Possible accessories to mount afterwards, if any required:
  - GAZ016-040...UL types: 1 contact block on both the right and left disconnector side unless 4th pole is installed
  - All other types: 2 contact blocks both on the right and left disconnector side unless 4th pole is installed
- Padlockable handle
- Sealable cover
- Tightening torque for enclosure screws:
  - GAZ016-040...UL: 1.3Nm/16lbin for cover; 1.2Nm/11lbin for plate terminals
  - Other types: 1.5Nm/13lbin for cover; 1.2Nm/11lbin for plate terminals
- UL/CSA degree of protection: Type 1, 4 and 4X indoor use only for GAZ016-040...UL types; not available for others / testing pending completion at time of catalogue printing
- Cable entry:
  - GAZ016-040...UL: PG16/M25 and PG13.5/M20 knockouts
  - GAX063...UL: PG29/M32 and PG16/M25 knockouts
  - GAZ0100-125...UL: Smooth surfaces; can be drilled by customer.

#### Certifications and compliance

Certifications obtained: EAC, UL Listed for USA and Canada (cULus - file E93602), as Manual Motor Controllers - Enclosed for GAZ016-040...UL types; cCSAus pending for all others at time of catalogue printing. Compliant with standards: IEC/EN 60947-1, IEC/EN 60947-3; UL508 and CSA C22.2 n°14 up to GAZ063S...; UL98 and CSA C22.2 n°4 for all others.

# Switch disconnectors

## GA series 16A to 125A

### Enclosed changeover switches

#### UL/CSA Type 4/4X non-metallic enclosure



GAZ 025 E...GAZ 063SA E...

**new**



GAZ 080 E...  
GAZ 125 E...

**new**

Order code	IEC conventional free air thermal current Ith		Qty per pkg	Wt [kg]
	AC21A (≤690V)	AC22A (≤400V)		
	[A]	[A]	n°	[kg]

#### Three-pole line changeover switches I-0-II.

Order code	AC21A (≤690V)	AC22A (≤400V)	AC23B (≤500V)	Qty per pkg	Wt [kg]
<b>GAZ025 ET6</b>	25	25	25	1	1.060
<b>GAZ040 ET6</b>	40	40	25	1	1.060
<b>GAZ063SA ET6</b>	63	45	25	1	1.070
<b>GAZ080 ET6</b>	80	80	63	1	2.950
<b>GAZ125 ET6</b>	125	125	100	1	2.950

#### Four-pole line changeover switches I-0-II.

Order code	AC21A (≤690V)	AC22A (≤400V)	AC23B (≤500V)	Qty per pkg	Wt [kg]
<b>GAZ025 ET8</b>	25	25	25	1	1.060
<b>GAZ040 ET8</b>	40	40	25	1	1.060
<b>GAZ063SA ET8</b>	63	45	25	1	1.070
<b>GAZ080 ET8</b>	80	80	63	1	2.950
<b>GAZ125 ET8</b>	125	125	100	1	2.950

#### Components

Enclosure	3-pole switch disconnector	Interlock	Handle
GAZ UL 1	2x GA025A	GAX5000	GAX67 B
GAZ UL 1	2x GA040A	GAX5000	GAX67 B
GAZ UL 1	2x GA063SA	GAX5000	GAX67 B
GAZ3UL	2x GA080A	GAX5001	GAX67 B
GAZ3UL	2x GA125A	GAX5001	GAX67 B
Enclosure	Switch disconnector + 4th pole	Interlock	Handle
GAZ UL 1	2x GA025A + 2x GAX42040A	GAX5000	GAX67 B
GAZ UL 1	2x GA040A + 2x GAX42040A	GAX5000	GAX67 B
GAZ UL 1	2x GA063SA + 2x GAX42063SA	GAX5000	GAX67 B
GAZ3UL	2x GA080A + 2x GAX42080A	GAX5001	GAX67 B
GAZ3UL	2x GA125A + 2x GAX42125A	GAX5001	GAX67 B

1 For major details, consult Customer Service; see contact details on inside front cover.

#### General characteristics

- Enclosure material: Polycarbonate
- Possible accessories to mount afterwards, if any required:
  - 2 contact blocks both on the right and left side for GAZ...ET6 types
  - 1 contact block both on the right and left side for GAZ...ET8 types
- Complete with neutral and earth/ground plate terminals
- Sealable cover
- Padlockable handle, complete with shaft extension
- Tightening torque for enclosure screws:
  - 1.5Nm/13lbin for cover
  - 1.2Nm/11lbin for plate terminals
- Degree of protection: IEC/EN IP65; UL/CSA Type 1, 4 and 4X indoor use only
- Cable entry:
  - GAZ025-063...ET6/8: PG29/M32 and PG16/M25 knockouts
  - GAZ080-125 ET6/8: Smooth surfaces; can be drilled by customer.

#### Certifications and compliance

Certifications pending: EAC, cCSAus.  
Compliant with standards: IEC/EN 60947-1, IEC/EN 60947-3; CSA C22.2 n°14 and UL508 up to GAZ063...ET6/8; CSA C22.2 n°4 and UL98 for GAZ100-125 ET6/8

#### UL/CSA ratings

Type	1 phase [HP]		3 phase [HP]				General use at 600VAC [A]	Short-circuit rating at 600VAC [kA]	Fuse class - max rating at 600V Type - [A]
	120V	240V	200-208V	240V	480V	600V			
GAZ025...	1½	3	7½	7½	15	20	25	5	RK5 - 30A
GAZ040...	2	5	10	15	20	25	40	5	RK5 - 45A
GAZ063S...	2	7½	10	15	30	30	60	5	RK5 - 45A

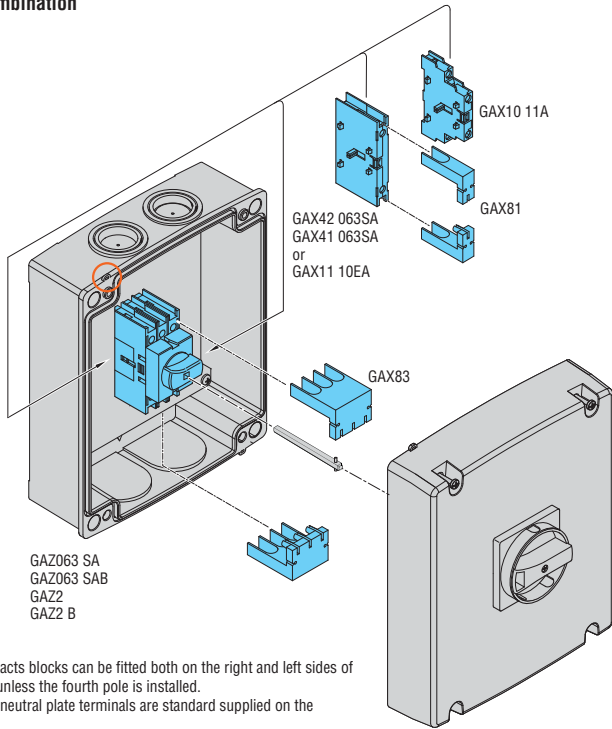
NOTE: Above ratings are valid for GAZ025-GAZ040ET... types, according to UL508 and CSA 22.2 n°14. For indication and references purposes only while cCSAus is pending.

Type	1 phase [HP]		3 phase [HP]				General use at 600VAC [A]	Short-circuit rating at 600VAC [kA]	Max fuse rating at 600V [A]
	120V	240V	200-208V <sup>1</sup>	240V	480V	600V			
GA080...	3	10	25	25	40	40	100	10	100
GA125...	7½	10	30	30	60	60	100	10	100

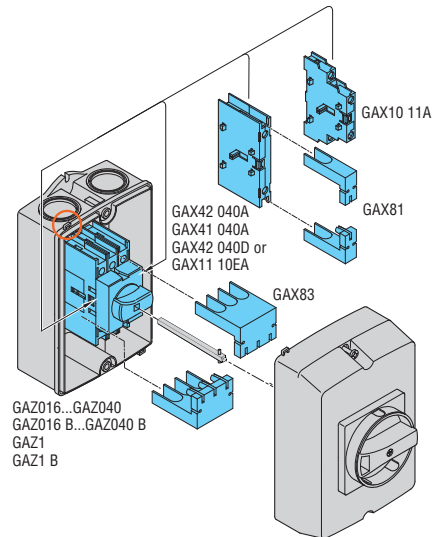
NOTE: Above ratings are valid for GAZ080-GAZ125ET... types, according to UL98 and CSA C22.2 N°4. For indication and references purposes only while cCSAus is pending.

<sup>1</sup> Voltage value not considered in UL98 / CSA 22.2 n°4 standards so not indicated in UL product marking.

### Maximum combination Enclosures

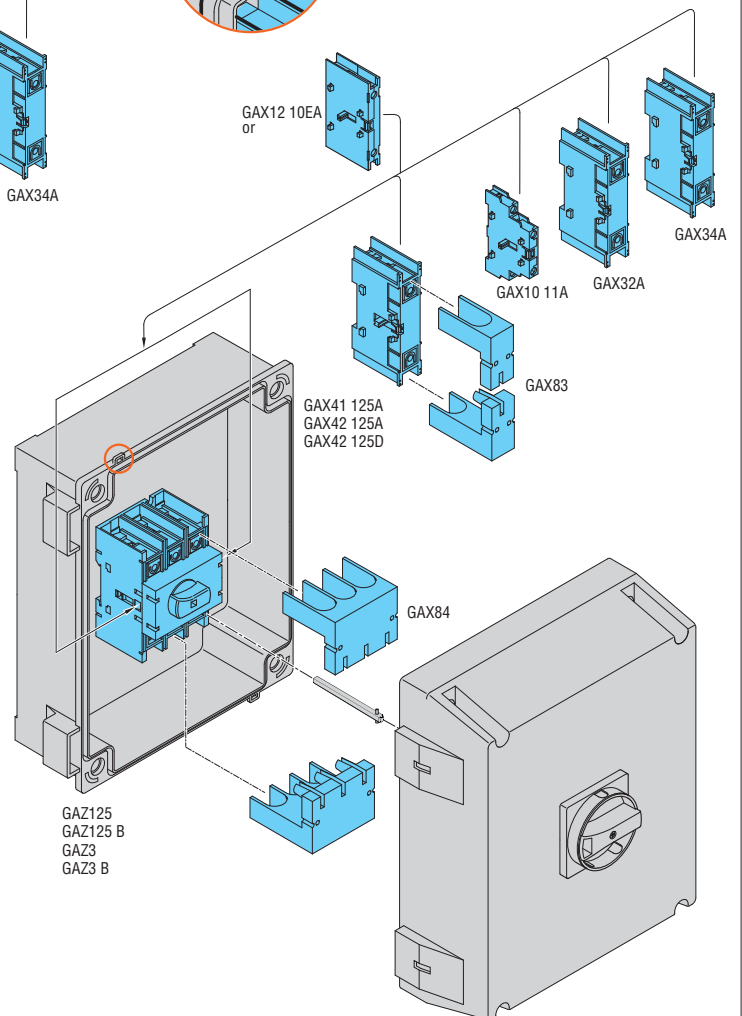
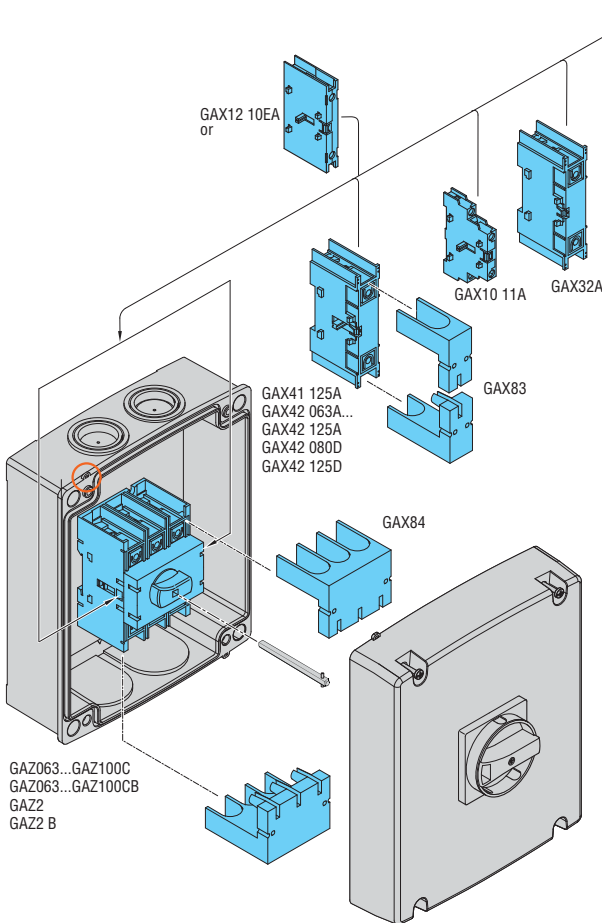
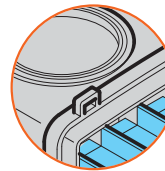


Two auxiliary contacts blocks can be fitted both on the right and left sides of the disconnector unless the fourth pole is installed.  
Earth/ground and neutral plate terminals are standard supplied on the enclosure base.



One auxiliary contact block can be fitted on the right and left sides of the disconnector unless the fourth pole is installed.  
The earth and neutral plate terminals are standard supplied on the enclosure base.

### Sealing eyelet



Two auxiliary contact blocks can be fitted both on the right and left sides of the disconnector unless the fourth pole is installed.  
Earth/ground and neutral terminals, GAX... type, if any required, are to be purchased separately for the enclosure except for GAZ...UL types which have plate terminals standard supplied.



### Three-pole switch disconnectors



GE...

Order code	IEC conventional free air thermal current I <sub>th</sub> AC21A (≤500V)		IEC rated operational current I <sub>e</sub>		Qty per pkg	Wt [kg]
	[A]	[A]	AC23A (≤400V)	AC23A (≤500V)		
	[A]	[A]	[A]	n°		[kg]
Separately purchase the handle and shaft extension ❶.						
<b>GE0160 P</b> ❹	160	160	125	1	0.850	
<b>GE0160</b>	160	160	125	1	0.850	
<b>GE0200</b>	200	160	125	1	0.900	
<b>GE0250</b>	250 ❺	160	125	1	0.900	
<b>GE0251</b>	250	250	200	1	1.700	
<b>GE0315</b>	315	315	250	1	1.700	
<b>GE0400</b>	400	400	315	1	1.900	
<b>GE0500</b>	500	500	400	1	4.200	
<b>GE0630</b>	630	630	500	1	4.200	
<b>GE0800</b>	800	800	500	1	4.200	
<b>GE1000</b>	1000	800	800	1	7.600	
<b>GE1250</b>	1250	800	800	1	7.600	
<b>GE1600</b>	1600	1000	900	1	20.800	

### Three-pole switch disconnectors with fuse holder



GE... F - GE... N - GE... B

With NFC fuse holder ❸❹.						
Separately purchase the handle and shaft extension ❶❷.						
<b>GE0050 F</b> ❹	50	50	50	1	1.250	
<b>GE0125 F</b> ❹	125	125	125	1	1.700	
With NH fuse holder ❸.						
Separately purchase the handle and shaft extension ❶❷.						
<b>GE0160 N</b>	160	160	125	1	1.700	
<b>GE0161 N</b>	160	160	160	1	3.100	
<b>GE0250 N</b>	250	250	250	1	6.600	
<b>GE0400 N</b>	400	400	400	1	6.600	
<b>GE0630 N</b>	630	630	630	1	13.000	
<b>GE0800 N</b>	800	630	630	1	13.000	
With BS fuse holder ❸.						
Separately purchase the handle and shaft extension ❶❷.						
<b>GE0160 B</b>	160	160	160	1	3.500	
<b>GE0200 B</b>	200	200	200	1	3.500	
<b>GE0250 B</b>	250	250	250	1	6.600	
<b>GE0315 B</b>	315	315	315	1	6.600	
<b>GE0400 B</b>	400	400	400	1	6.600	
<b>GE0630 B</b>	630	630	630	1	13.000	
<b>GE0800 B</b>	800	630	630	1	13.000	

- ❶ Refer to the side table for the selection of the handle. A shaft insert is standard-supplied with all direct operating handles so no other shaft extension is required in this case.
- ❷ See table on page 11-22 also for the types of fuses.
- ❸ The switch disconnector is standard-supplied with fuse protection shield.
- ❹ Standard supplied with IEC IP20 terminal protection.
- ❺ IEC 250A I<sub>th</sub>; IEC 200A AC21A ≤500V.

### Selection of handle and accessories

Types of handle to use per type are given below. Also refer to pages 11-19 and 11-22 for other accessories.

Direct operating	Door coupling	
	Black	Red/yellow
GEX65D	GAX66B	GAX66
GEX66ND	GEX66NB	GEX66N
GEX67ND	GEX67NB	GEX67N
GEX68ND	GEX68NB	GEX68N

Direct operating	Door coupling	
	Black	Red/yellow
GEX61D	GEX61NB	GEX61N
GEX62D	GEX66NB	GEX66N
GEX63D	GEX67NB	GEX67N
GEX64D	GEX68NB	GEX68N

### General characteristics

- IEC 50A to 1600A ratings
- Available versions: direct operating and door coupling
- Screw fixing: 35mm DIN rail mount adapter kit for GE0160 P on p. 11-19
- Padlockable at 0 position with no extra accessory.

### Operational characteristics

- IEC rated insulation voltage U<sub>i</sub>:
  - 1000V for GE0160 P, GE0160-GE1600, GE0250 N/B-GE0800 N/B
  - 800V for GE0050 F, GE0125 F, GE0160 N/B, GE0161 N, and GE0200 B
- Mechanical life:
  - 30,000 cycles for GE0160 P, GE0160-GE0250,
  - 20,000 cycles for GE0251-GE0400
  - 10,000 cycles for GE0500-GE1600, GE0050 F, GE0125 F, GE0160 N/B-GE0400 N/B
  - 5,000 cycles for GE0630 N/B-GE0800 N/B.

### Certifications and compliance

Certifications obtained: EAC.  
Compliant with standards: IEC/EN 60947-1, IEC/EN 60947-3.

### Four-pole switch disconnectors



GE...T4...

Order code	IEC conventional free air thermal current Ith AC21A (≤500V)		IEC rated operational current Ie		Qty per pkg	Wt [kg]
	[A]	[A]	AC23A (≤400V)	AC23A (≤500V)		
	[A]	[A]	[A]	n°		
Separately purchase the handle and shaft extension ❶.						
<b>GE0160 T4P</b> ❶	160	160	125	1	1.000	
<b>GE0160 T4</b>	160	160	125	1	1.000	
<b>GE0200 T4</b>	200	160	125	1	1.000	
<b>GE0250 T4</b>	250❷	160	125	1	1.000	
<b>GE0251 T4</b>	250	250	200	1	1.900	
<b>GE0315 T4</b>	315	315	250	1	1.900	
<b>GE0400 T4</b>	400	400	315	1	2.100	
<b>GE0500 T4</b>	500	500	400	1	4.500	
<b>GE0630 T4</b>	630	630	500	1	4.500	
<b>GE0800 T4</b>	800	800	500	1	4.500	
<b>GE1000 T4</b>	1000	800	800	1	7.600	
<b>GE1250 T4</b>	1250	800	800	1	7.600	
<b>GE1600 T4</b>	1600	1000	900	1	20.800	

### Four-pole switch disconnectors with fuse holder



GE... FT4 - GE...NT4-GE...BT4

With NFC fuse holder ❸❹.						
Separately purchase the handle and shaft extension ❶❷.						
<b>GE0050 FT4</b> ❹	50	50	50	1	1.250	
<b>GE0125 FT4</b> ❹	125	125	125	1	1.700	
With NH fuse holder ❸.						
Separately purchase the handle and shaft extension ❶❷.						
<b>GE0160 NT4</b>	160	160	125	1	2.200	
<b>GE0161 NT4</b>	160	160	160	1	8.000	
<b>GE0250 NT4</b>	250	250	250	1	8.000	
<b>GE0400 NT4</b>	400	400	400	1	8.000	
<b>GE0630 NT4</b>	630	630	630	1	15.000	
<b>GE0800 NT4</b>	800	630	630	1	15.000	
With BS fuse holder ❸.						
Separately purchase the handle and shaft extension ❶❷.						
<b>GE0160 BT4</b>	160	160	160	1	4.000	
<b>GE0200 BT4</b>	200	200	200	1	4.000	
<b>GE0250 BT4</b>	250	250	250	1	4.000	
<b>GE0315 BT4</b>	315	315	315	1	8.000	
<b>GE0400 BT4</b>	400	400	400	1	8.000	
<b>GE0630 BT4</b>	630	630	630	1	15.000	
<b>GE0800 BT4</b>	800	630	630	1	15.000	

- ❶ Refer to the side table for the selection of the handle. A shaft insert is standard-supplied with all direct operating handles so no other shaft extension is required in this case.
- ❷ See table on page 11-23 also for the types of fuses.
- ❸ The switch disconnector is standard-supplied with fuse protection shield.
- ❹ Standard supplied with IEC IP20 terminal protection.
- ❺ IEC 250A Ith; IEC 200A AC21A ≤500V.

### Selection of handles and accessories

Types of handle to use per type are given below. Also refer to pages 11-19 and 11-23 for other accessories.

Direct operating	Door coupling	
Black	Black	Red/yellow
GEX65D	GAX66B	GAX66
GEX66ND	GEX66NB	GEX66N
GEX67ND	GEX67NB	GEX67N
GEX68ND	GEX68NB	GEX68N

Direct actuator	Door coupling	
Black	Black	Red/yellow
GEX61D	GEX61NB	GEX61N

Direct actuator	Door coupling	
Black	Black	Red/yellow
GEX61D	GEX61NB	GEX61N
GEX62D	GEX66NB	GEX66N
GEX63D	GEX67NB	GEX67N
GEX64D	GEX68NB	GEX68N

Direct actuator	Door coupling	
Black	Black	Red/yellow
GEX62D	GEX66NB	GEX66N
GEX63D	GEX67NB	GEX67N
GEX64D	GEX68NB	GEX68N

### General characteristics

- IEC 50A to 1600A ratings
- 4-pole types (3P+N) with early-make late-break neutral pole
- Available versions: direct operating and door coupling
- Screw fixing: 35mm DIN rail mount adapter kit for GE0160 T4P on p. 11-19
- Padlockable at 0 position with no extra accessory.

### Operational characteristics

- IEC rated insulation voltage Ui:
  - 1000V for GE1600 T4P, GE0160 T4-GE1600 T4, GE0250 NT4/BT4-GE0800 NT4/BT4
  - 800V for GE0050 FT4, GE0125 FT4, GE0160 NT4/BT4, GE0161 NT, GE0200 BT4
- Mechanical life:
  - 30,000 cycles for GE1600 T4P, GE0160 T4-GE0250 T4
  - 20,000 cycles for GE0251 T4-GE0400 T4
  - 10,000 cycles for GE0500 T4-GE1600 T4, GE0050 FT4, GE0125 FT4, GE0160 NT4/BT4-GE0400 NT4/BT4
  - 5,000 cycles for GE0630 NT4/BT4, GE0800 NT4/BT4.

### Certifications and compliance

Certifications obtained: EAC.  
Compliant with standards: IEC/EN 60947-1, IEC/EN 60947-3.

### Three-pole changeover switches



GE...E

Order code	IEC conventional free air thermal current I <sub>th</sub> AC21A (≤500V)	IEC rated operational current I <sub>e</sub>		Qty per pkg	Wt [kg]
		AC23B (≤400V)	AC23B (≤500V)		
	[A]	[A]	[A]	n°	[kg]
Separately purchase the handle and shaft extension❶.					
GE0160 E	160	160	125	1	1.800
GE0200 E	200	160	125	1	1.900
GE0201 E	200	160	125	1	4.800
GE0250 E	250	180	150	1	4.800
GE0315 E	315	200	160	1	5.000
GE0400 E	400	250	200	1	5.000
GE0500 E	500	400	250	1	11.500
GE0630 E	630	500	315	1	11.500
GE0800 E	800	630	400	1	11.900
GE1000 E	1000	1000	800	1	21.800
GE1250 E	1250	1000	900	1	23.600
GE1600 E	1600	1000	900	1	50.000

### Four-pole changeover switches



GE...ET4

Order code	IEC conventional free air thermal current I <sub>th</sub> AC21A (≤500V)	IEC rated operational current I <sub>e</sub>		Qty per pkg	Wt [kg]
		AC23B (≤400V)	AC23B (≤500V)		
	[A]	[A]	[A]	n°	[kg]
Separately purchase the handle and shaft extension❶.					
GE0160 ET4	160	160	125	1	2.100
GE0200 ET4	200	160	125	1	2.200
GE0201 ET4	200	160	125	1	5.300
GE0250 ET4	250	180	150	1	5.300
GE0315 ET4	315	200	160	1	5.500
GE0400 ET4	400	250	200	1	5.500
GE0500 ET4	500	400	250	1	12.600
GE0630 ET4	630	500	315	1	12.600
GE0800 ET4	800	630	400	1	13.200
GE1000 ET4	1000	1000	800	1	24.300
GE1250 ET4	1250	1000	900	1	26.700
GE1600 ET4	1600	1000	900	1	55.000

❶ Refer to the side table for the selection of the handle. A shaft insert is standard-supplied with all direct operating handles so no other shaft extension is required in this case.

#### Selection of handles and accessories

Types of handle to use per type are given below. Also refer to pages 11-19 and 11-21 for other accessories.

Direct actuator	Door coupling
Black	Black
GEX61E	GEX61NC
GEX62NE	GEX62NC
GEX63NE	GEX63NC
GEX64NE	GEX64NC

#### Selection of handles and accessories

Types of handle to use per type are given below. Also refer to pages 11-19 and 11-21 for other accessories.

Direct actuator	Door coupling
Black	Black
GEX61E	GEX61NC
GEX62NE	GEX62NC
GEX63NE	GEX63NC
GEX64NE	GEX64NC

#### General characteristics

- IEC 160A to 1600A ratings
- 4-pole types (3P+N) with early-make late-break neutral pole
- Available versions: direct operating and door coupling
- Screw fixing
- Padlockable at 0 position with no extra accessory.

#### Operational characteristics

- IEC rated insulation voltage U<sub>i</sub>: 1000V
- Mechanical life: 30,000 cycles for GE0160 E/ET4 and GE0200 E/ET4 only; 10,000 cycles for other types.

#### Certifications and compliance

Certifications obtained: EAC.  
Compliant with standards: IEC/EN 60947-1, IEC/EN 60947-3.

#### Auxiliary contacts

#### Terminal covers

#### Motorised unit



GEX10...



GEX89 00



GEX8...



GEX69...

For the correct choice of auxiliary contacts, terminals covers and motorised unit for the switch disconnector, refer to tables on pages 11-21 to 11-25.

Order code	Characteristics	Qty per pkg	Wt [kg]
		n°	

Auxiliary contacts<sup>①②</sup>.

<b>GEX10 11①②</b>	1NO/1NC changeover/SPDT	1	0.032
-------------------	-------------------------	---	-------

Auxiliary contacts for switch disconnector types GE0050 F, GE0050 FT4, GE0125 F, GE0125 FT4, GE0160 N and GE0160 NT4.

<b>GEX10 11N②</b>	1NO/1NC changeover/SPDT	1	0.024
-------------------	-------------------------	---	-------

Auxiliary contacts for switch disconnector types GE0160 E, GE0200 E, GE0160 ET4, GE0200 ET4, GE1600 E and GE1600 ET4.

<b>GEX10 11M②</b>	1NO/1NC changeover/SPDT	1	0.016
-------------------	-------------------------	---	-------

Adapter kit for 35mm DIN fixing.

<b>GEX89 00</b>	For GE...P types only	1	0.040
-----------------	-----------------------	---	-------

Set of terminal covers consisting of pieces given below. See tables on pages 11-21 to 11-25 for the selection based on the switch disconnector type. Screw fixing.

<b>GEX81 01</b>	1-piece set, transparent sheet covering four poles	1	0.048
-----------------	--	---	-------

<b>GEX81 11</b>	2-piece set, each covers two poles	1	0.080
-----------------	------------------------------------	---	-------

<b>GEX81 21</b>	2-piece set, each covers two poles	1	0.140
-----------------	------------------------------------	---	-------

<b>GEX81 31</b>	2-piece set, each covers two poles	1	0.170
-----------------	------------------------------------	---	-------

<b>GEX81 41</b>	2-piece set, each covers two poles	1	0.440
-----------------	------------------------------------	---	-------

<b>GEX82 01</b>	3-piece set, each covers one pole	1	0.090
-----------------	-----------------------------------	---	-------

<b>GEX82 03</b>	4-piece set, each covers one pole	1	0.120
-----------------	-----------------------------------	---	-------

<b>GEX82 11</b>	3-piece set, each covers one pole	1	0.120
-----------------	-----------------------------------	---	-------

<b>GEX82 12</b>	3-piece set, each covers one pole	1	0.120
-----------------	-----------------------------------	---	-------

<b>GEX82 13</b>	4-piece set, each covers one pole	1	0.160
-----------------	-----------------------------------	---	-------

<b>GEX82 21</b>	3-piece set, each covers one pole	1	0.240
-----------------	-----------------------------------	---	-------

<b>GEX82 22</b>	3-piece set, each covers one pole	1	0.240
-----------------	-----------------------------------	---	-------

<b>GEX82 23</b>	4-piece set, each covers one pole	1	0.320
-----------------	-----------------------------------	---	-------

<b>GEX82 31</b>	3-piece set, each covers one pole	1	0.340
-----------------	-----------------------------------	---	-------

<b>GEX82 32</b>	3-piece set, each covers one pole	1	0.340
-----------------	-----------------------------------	---	-------

<b>GEX82 33</b>	4-piece set, each covers one pole	1	0.440
-----------------	-----------------------------------	---	-------

<b>GEX83 11</b>	3-piece set, each covers one pole	1	0.120
-----------------	-----------------------------------	---	-------

<b>GEX83 12</b>	4-piece set, each covers one pole	1	0.160
-----------------	-----------------------------------	---	-------

<b>GEX83 21</b>	3-piece set, each covers one pole	1	0.260
-----------------	-----------------------------------	---	-------

<b>GEX83 22</b>	4-piece set, each covers one pole	1	0.340
-----------------	-----------------------------------	---	-------

<b>GEX83 31</b>	3-piece set, each covers one pole	1	0.360
-----------------	-----------------------------------	---	-------

<b>GEX83 32</b>	4-piece set, each covers one pole	1	0.460
-----------------	-----------------------------------	---	-------

<b>GEX83 33</b>	4-piece set, each covers one pole	1	0.460
-----------------	-----------------------------------	---	-------

Motorised control unit for changeover switches.

Rated auxiliary supply voltage 230VAC/DC.

Complete with control handle, shaft extension and fixing elements.

<b>GEX69 1</b>	For GE0201 E-GE0400 E and GE0201 ET4-GE0400 ET4	1	3.840
----------------	---	---	-------

<b>GEX69 2</b>	For GE0500 E-GE0800 E and GE0500 ET4-GE0800 ET4	1	5.340
----------------	---	---	-------

<b>GEX69 3</b>	For GE1000 E-GE1600 E and GE1000 ET4-GE1600 ET4	1	5.753
----------------	---	---	-------

① Suitable for all types except switch disconnectors GE0050 F, GE0050 FT4, GE0125 F, GE0125 FT4, GE0160 N, GE0160 NT4, GE0160 E, GE0200 E, GE0160 ET4, GE0200 ET4, GE1600 E and GE1600 ET4.

② Changeover contact/SPDT.

#### Selection of add-on contacts and accessories

Refer to the combinations given on pages 11-21 to 11-25 for a correct choice based on the switch disconnector type used.

#### General characteristics for auxiliary contacts

IEC conventional free air thermal current I<sub>th</sub>: 16A.

#### General characteristics for motorised control unit

- IEC rated auxiliary supply voltage: 230VAC/DC
- 4 static outputs, 24VDC 120mA total
- 4 inputs, contacts powered at 24VDC or 5VDC (500mA) for changeover control (pulsed or continuous)
- RS485 Modbus serial port for control, monitoring, programming
- Padlockable at 0 position
- Programming by position inputs
- 4-digit display for status-error indications.

#### Certifications and compliance

Certifications obtained: EAC.  
Compliant with standards: IEC/EN 60947-1, IEC/EN 60947-3.



GEX...D-GEX...E



GEX6 2NE



GAX66



GEX6 6N



GEX6 8N



GEX6 7NB



GAX7...A



GEX7...

**new**

**new**

**new**

**new**

**new**

**new**

**new**

Order code	Characteristics	Qty per pkg	Wt
		n°	[kg]

**DIRECT OPERATING LEVER HANDLE, PADLOCKABLE ①.**  
Rotating type with screw fixing on switch disconnector.  
Complete with shaft insert.

GEX6 1D	95mm/3.7" black	1	0.340
GEX6 1E	50mm/2" black	1	0.052
GEX6 2D	105mm/4.1" black	1	0.268
GEX6 2NE	143mm/5.6" black	1	0.266
GEX6 3D	145mm/5.7" black	1	0.536
GEX6 3NE	360mm/14.2" black	1	0.424
GEX6 4D	360mm/14.2" black	1	0.612
GEX6 4NE	396mm/15.6" black	1	0.612
GEX6 5D	50mm/2" black	1	0.054
GEX6 6ND	115mm/4.5" black	1	0.216
GEX6 7ND	143mm/5.6" black	1	0.322
GEX6 8ND	396mm/15.6" black	1	0.328

**DOOR COUPLING LEVER HANDLE, PADLOCKABLE ①.**  
Red/yellow rotating type with screw fixing on door.  
Shaft extension to order separately.

GAX66 ②	Pistol grip, 65mm/2.6" □7mm/0.3" ②. IEC IP66	1	0.140
GEX6 1N	94mm/3.7" □7mm/0.3".	1	0.326
GEX6 6N	115mm/4.5" □10mm/0.4". IEC IP65	1	0.248
GEX6 7N	143mm/5.6" □14mm/0.6". IEC IP65	1	0.302
GEX6 8N	396mm/15.6" □14mm/0.6". IEC IP65	1	0.312

**DOOR COUPLING LEVER HANDLE, PADLOCKABLE ①.**  
Black rotating type with screw fixing on door.  
Shaft extension to order separately.

GAX66 B ②	Pistol grip, 65mm/2.6" □7mm/0.3" ②. IEC IP66	1	0.075
GEX6 1NB	94mm/3.7" □7mm/0.3". IEC IP65	1	0.334
GEX6 1NC	94mm/3.7" □7mm/0.3". IEC IP65	1	0.074
GEX6 2NC	143mm/5.6" □10mm/0.4". IEC IP65	1	0.252
GEX6 3NC	176mm/6.9" □14mm/0.6". IEC IP65	1	0.302
GEX6 4NC	396mm/15.6" □14mm/0.6". IEC IP65	1	0.488
GEX6 6NB	115mm/4.5" □10mm/0.4". IEC IP65	1	0.246
GEX6 7NB	143mm/5.6" □14mm/0.6". IEC IP65	1	0.298
GEX6 8NB	396mm/15.6" □14mm/0.6". IEC IP65	1	0.310

**SHAFT EXTENSION**  
for door coupling lever handles.

GAX7 150A	150mm/5.9in; □7mm/0.3"	1	0.090
GAX7 200A	200mm/7.9in; □7mm/0.3"	1	0.112
GAX7 300A	300mm/11.8in; □7mm/0.3"	1	0.160
GEX7 162N	177mm/6.97"; □7mm/0.3"	1	0.056
GEX7 195N	195mm/7.7"; □14mm/0.6"	1	0.248
GEX7 227N	227mm/8.9"; □10mm/0.4"	1	0.154
GEX7 239N	239mm/9.4"; □14mm/0.6"	1	0.310
GEX7 250N	250mm/9.8"; □7mm/0.3"	1	0.084
GEX7 345N	345mm/13.6"; □14mm/0.6"	1	0.480
GEX7 375N	375mm/14.7"; □10mm/0.4"	1	0.274
GEX7 387N	387mm/15.2"; □7mm/0.3"	1	0.142
GEX7 536N	536mm/21.1"; □10mm/0.4"	1	0.408
GEX7 535N	535mm/21.06"; □14mm/0.6"	1	0.784
GEX7 485N	485mm/19.1"; □14mm/0.6"	1	0.930

① See tables on pages 11-21 to 11-25 for the correct choice based on the switch disconnector type used.  
② Use with GAX7...A extension types only.

#### Certifications and compliance

Certifications obtained: EAC for all types; cULus to UL98 / CSA C22.2 n°4 for GAX66... and GAX7...A types (see pages 11-8 and 11-10 for cULus details).  
Compliant with standards: IEC/EN 60947-1, IEC/EN 60947-3.

Handle shape and length	Type of handle
50mm (2")	GEX61E-GEX65D
65mm (2.6")	GAX66-GAX66B
94mm (3.7")	GEX61N-GEX61NB GEX61NC
95mm (3.74")	GEX61D
105mm (4.1")	GEX62D
115mm (4.5")	GEX66ND-GEX66NB GEX66N
143mm (5.6")	GEX62NC-GEX62NE GEX67N-GEX67NB GEX67ND
176mm (6.9")	GEX63NC-GEX63NE
245mm (9.6")	2-hand GEX63D
360mm (14.2")	2-hand GEX64D
396mm (15.6")	2-hand GEX64NC-GEX64NE GEX68N-GEX68NB GEX68ND

For the correct choice of handle and shaft extension for the switch disconnector, refer to tables on pages 11-21 to 11-25.

### Summary table of combinations - Three and four-pole changeover switches

Type	IEC Conventional free air thermal current I <sub>th</sub>	IEC rated operational current I <sub>e</sub>		Direct operating handle	Door-coupling handles		Shaft extension for door-coupling handles (the last 3 digits of GEX code indicate length in mm/in)		Auxiliary contacts 1NO/1NC	Motorised control unit	Terminal covers for:		
		AC21A (≤500V)	AC23B (≤400V)	AC23B (≤500V)	Black	Black	Red/Yellow	Shaft section			Max panel depth	Line 1	Line 2
Order code	[A]	[A]	[A]	Order code	Order code	Order code	Order code	[mm/in]	Order code	Order code	Order code	Order code	Order code

Changeover switches. Three poles.

<b>GE0160 E</b>	160	160	125	<b>GEX61E</b>	<b>GEX61NC</b>	—	<b>GEX7162N</b> <b>GEX7250N</b> <b>GEX7387N</b>	7mm/ 0.3"	269/10.59" 342/13.36" 479/18.86"	<b>GEX1011M</b>	—	<b>GEX8101</b> ①	①	<b>GEX8101</b>
<b>GE0200 E</b>	200	160	125											
<b>GE0201 E</b>	200	160	125	<b>GEX62NE</b>	<b>GEX62NC</b>	—	<b>GEX7227N</b> <b>GEX7375N</b> <b>GEX7536N</b>	10mm/ 0.4"	279/10.98" 427/16.81" 588/23.15"	<b>GEX1011</b>	<b>GEX691</b>	<b>GEX8212</b>	<b>GEX8211</b>	<b>GEX8311</b>
<b>GE0250 E</b>	250	180	150											
<b>GE0315 E</b>	315	200	160											
<b>GE0400 E</b>	400	250	200											
<b>GE0500 E</b>	500	400	250											
<b>GE0630 E</b>	630	500	315	<b>GEX63NE</b>	<b>GEX63NC</b>	—	<b>GEX7195N</b> <b>GEX7345N</b> <b>GEX7535N</b>	14mm/ 0.6"	257/10.12" 407/16.02" 597/23.50"	<b>GEX1011</b>	<b>GEX692</b>	<b>GEX8222</b>	<b>GEX8221</b>	<b>GEX8321</b>
<b>GE0800 E</b>	800	630	400											
<b>GE1000 E</b>	1000	1000	800											
<b>GE1250 E</b>	1250	1000	900	<b>GEX64NE</b>	<b>GEX64NC</b>	—	<b>GEX7239N</b> <b>GEX7485N</b>	14mm/ 0.6"	280/11.02" 430/16.93" 620/24.41"	<b>GEX1011M</b>	<b>GEX693</b>	<b>GEX8232</b>	<b>GEX8231</b>	<b>GEX8331</b>
<b>GE1600 E</b>	1600	1000	900											
						—						<b>GEX8141</b>	—	<b>GEX8141</b>

Changeover switches. Four poles.

<b>GE0160 ET4</b>	160	160	125	<b>GEX61E</b>	<b>GEX61NC</b>	—	<b>GEX7162N</b> <b>GEX7250N</b> <b>GEX7387N</b>	7mm/ 0.3"	269/10.59" 342/13.36" 479/18.86"	<b>GEX1011M</b>	—	<b>GEX8101</b> ①	①	<b>GEX8101</b>
<b>GE0200 ET4</b>	200	160	125											
<b>GE0201 ET4</b>	200	200	160	<b>GEX62NE</b>	<b>GEX62NC</b>	—	<b>GEX7227N</b> <b>GEX7375N</b> <b>GEX7536N</b>	10mm/ 0.4"	279/10.98" 427/16.81" 588/23.15"	<b>GEX1011</b>	<b>GEX691</b>	<b>GEX8213</b>	<b>GEX8213</b>	<b>GEX8312</b>
<b>GE0250 ET4</b>	250	200	160											
<b>GE0315 ET4</b>	315	250	200											
<b>GE0400 ET4</b>	400	250	200											
<b>GE0500 ET4</b>	500	400	315											
<b>GE0630 ET4</b>	630	400	315	<b>GEX63NE</b>	<b>GEX63NC</b>	—	<b>GEX7195N</b> <b>GEX7345N</b> <b>GEX7535N</b>	14mm/ 0.6"	257/10.12" 407/16.02" 597/23.50"	<b>GEX1011</b>	<b>GEX692</b>	<b>GEX8223</b>	<b>GEX8223</b>	<b>GEX8322</b>
<b>GE0800 ET4</b>	800	630	400											
<b>GE1000 ET4</b>	1000	1000	800											
<b>GE1250 ET4</b>	1250	1000	900	<b>GEX64NE</b>	<b>GEX64NC</b>	—	<b>GEX7239N</b> <b>GEX7485N</b>	14mm/ 0.6"	280/11.02" 430/16.93" 620/24.41"	<b>GEX1011M</b>	<b>GEX693</b>	<b>GEX8233</b>	<b>GEX8233</b>	<b>GEX8332</b>
<b>GE1600 ET4</b>	1600	1000	900											
						—						<b>GEX8141</b>	—	<b>GEX8141</b>

① GEX81 01 terminal cover protects the input of both Line 1 and Line 2.

### Summary table of combinations - Three-pole switch disconnectors

Three-pole type ①	IEC Conventional free air thermal		IEC rated operational current Ie		Direct operating handle	Door-coupling handles		Shaft extensions for door-coupling handles (the last 3 digits of GEX code indicate length in mm/in)		Auxiliary contacts 1NO/1NC (SPDT)	Type of fuse	Terminal covers for:	
	AC21A (≤500V)	AC23A (≤400V)	AC23A (≤500V)	Black	Black	Red/Yellow	Shaft section	Max panel depth	Order code	Line	Load		

Order code	[A]	[A]	[A]	Order code	Order code	Order code	Order code	[mm/in]	[mm/in]	Order code	Order code	Order code
Switch disconnectors.												
GE0160 P <sup>Ⓜ</sup>	160	160	125	GEX65D	GAX66B	GAX66	GAX7150A <sup>Ⓜ</sup>	7mm/	214/8.42"	GEX1011	—	Ⓜ
GE0160	160	160	125				GAX7200A <sup>Ⓜ</sup>	0.3"	264/10.39"			Ⓜ
GE0200	200	160	125				GAX7300A <sup>Ⓜ</sup>		364/14.33"			Ⓜ
GE0250 <sup>Ⓜ</sup>	250 <sup>Ⓜ</sup>	160	125									
GE0251	250	250	200	GEX66ND	GEX66NB	GEX66N	GEX7227N	10mm/	267/10.51"			GEX8111
GE0315	315	315	250				GEX7375N	0.4"	415/16.34"			GEX8111
GE0400	400	400	315				GEX7536N		576/22.68"			GEX8121
GE0500	500	500	400				GEX7195N	14mm/	251/9.88"			GEX8121
GE0630	630	630	500	GEX67ND	GEX67NB	GEX67N	GEX7345N	0.6"	401/15.79"			GEX8131
GE0800	800	630	500				GEX7535N		591/23.27"			GEX8131
GE1000	1000	800	800				GEX7239N	14mm/	267/10.51"			GEX8131
GE1250	1250	800	800				GEX7485N	0.6"	417/16.42"			GEX8141
GE1600	1600	1000	900					607/23.90"				GEX8141

Switch disconnectors with NFC fuse holder.													
GE0050 F <sup>Ⓜ</sup>	50	50	50	GEX61D	GEX61NB	GEX61N	GEX7162N	7mm/	192/7.56"	GEX1011N	14x51	Ⓜ	
GE0125 F <sup>Ⓜ</sup>	125	125	125				GEX7250N	0.3"	265/10.43"			22x58	Ⓜ
							GEX7387N		402/15.83"				Ⓜ

Switch disconnectors with NH fuse holder.													
GE0160 N	160	160	125	GEX61D	GEX61NB	GEX61N	GEX7162N	7mm/	192/7.56"	GEX1011N	00	GEX8201	
							GEX7250N	0.3"	265/10.43"				GEX8201
							GEX7387N		402/15.83"				GEX8211
GE0161 N	160	160	160	GEX62D	GEX66NB	GEX66N	GEX7227N	10mm/	302/11.89"	GEX1011	0	GEX8211	
							GEX7375N	0.4"	450/17.72"				GEX8211
							GEX7536N		611/24.05"				GEX8221
GE0250 N	250	250	250	GEX63D	GEX67NB	GEX67N	GEX7195N	14mm/	271/10.67"		1	GEX8221	
GE0400 N	400	400	400				GEX7345N	0.6"	421/16.57"				GEX8221
							GEX7535N		611/24.05"				GEX8221
GE0630 N	630	630	630	GEX64D	GEX68NB	GEX68N	GEX7195N		285/11.22"		3	GEX8231	
GE0800 N	800	630	630				GEX7345N		435/17.12"				GEX8231
							GEX7535N		625/24.61"				GEX8231

Switch disconnectors with BS fuse holder.													
GE0160 B	160	160	160	GEX62D	GEX66NB	GEX66N	GEX7227N	10mm/	302/11.89"	GEX1011	A4	GEX8211	
GE0200 B	200	200	200				GEX7375N	0.4"	450/17.72"				GEX8211
GE0250 B	250	250	250				GEX7536N		611/24.05"				GEX8211
GE0315 B	315	315	315	GEX63D	GEX67NB	GEX67N	GEX7195N	14mm/	271/10.67"		B1-B2-B3	GEX8221	
GE0400 B	400	400	400				GEX7345N	0.6"	421/16.57"				GEX8221
							GEX7535N		611/24.05"				GEX8221
GE0630 B	630	630	630	GEX64D	GEX68NB	GEX68N	GEX7195N		285/11.22"		C1-C2	GEX8231	
GE0800 B	800	630	630				GEX7345N		435/17.12"				GEX8231
							GEX7535N		625/24.61"				GEX8231

① The motorised control unit cannot be installed.  
 ② Standard supplied with IP20 terminal protection warranted by wired equipment with only maximum conductor section of 95mm<sup>2</sup>. Suitable for mounting on 35mm DIN (IEC/EN 60715) rail, adapters kit is available on page 11-19.  
 ③ IEC 250A Ith; IEC 200A AC21A ≤500V.  
 ④ Standard supplied with IEC IP20 terminal protection warranted by wired equipment with only maximum conductor section of 35mm<sup>2</sup> for GE0050 F and of 95mm<sup>2</sup> for GE0125 F.

### Summary table of combinations - Four-pole switch disconnectors

Four-pole type ①	IEC conventional free air thermal	IEC rated operational current I <sub>e</sub>		Direct operating handle	Door-coupling handles		Shaft extensions for door-coupling handles (the last 3 digits of GEX code indicate length in mm/in)		Auxiliary contacts 1NO/1NC (SPDT)	Type of fuse	Terminal covers for:	
		AC21A (≤500V)	AC23A (≤400V)	AC23A (≤500V)	Black	Black	Red/Yellow	Shaft section			Max panel depth	Line
Order code	[A]	[A]	[A]	Order code	Order code	Order code	Order code	□ [mm/in]	[mm/in]	Order code	Order code	Order code

#### Switch disconnectors.

<b>GE0160 T4P</b> ②	160	160	125	<b>GEX65D</b>	<b>GAX66B</b>	<b>GAX66</b>	<b>GAX7150A</b> ③ <b>GAX7200A</b> ③ <b>GAX7300A</b> ③	7mm/ 0.3"	214/8.42" 264/10.39" 364/14.33"	<b>GEX1011</b>	—	④	④														
<b>GE0160 T4</b>	160	160	125					<b>GEX66ND</b>	<b>GEX66NB</b>			<b>GEX66N</b>	10mm/ 0.4"	267/10.51" 415/16.34" 576/22.68"	<b>GEX8111</b>	<b>GEX8111</b>	④	④									
<b>GE0200 T4</b>	200	160	125																<b>GEX67ND</b>	<b>GEX67NB</b>	<b>GEX67N</b>	14mm/ 0.6"	251/9.88" 401/15.79" 591/23.27"	<b>GEX8121</b>	<b>GEX8121</b>	④	④
<b>GE0250 T4</b> ③	250	160	125																								
<b>GE0251 T4</b>	250	250	200	<b>GEX7239N</b> <b>GEX7485N</b>	14mm/ 0.6"	399/15.71" 645/25.39"	<b>GEX8141</b>	<b>GEX8141</b>	④	④																	
<b>GE0315 T4</b>	315	315	250								<b>GE0400 T4</b>	400	315	<b>GE0500 T4</b>	500	400	<b>GE0630 T4</b>	630	500								
<b>GE0400 T4</b>	400	400	315	<b>GE0800 T4</b>	800	630	500	<b>GE1000 T4</b>	1000	800										800	<b>GE1250 T4</b>	1250	800				
<b>GE0500 T4</b>	500	500	400								<b>GE1600 T4</b>	1600	1000	900	<b>GE1600 T4</b>	1600	1000	900	<b>GE1600 T4</b>					1600	1000	900	

#### Switch disconnectors with NFC fuse holder.

<b>GE0050 FT4</b> ④	50	50	50	<b>GEX61D</b>	<b>GEX61NB</b>	<b>GEX61N</b>	<b>GEX7162N</b> <b>GEX7250N</b> <b>GEX7387N</b>	7mm/ 0.3"	192/7.56" 265/10.43" 402/15.83"	<b>GEX1011N</b>	14x51 22x58	④	④
<b>GE0125 FT4</b> ④	125	125	125					<b>GEX61D</b>	<b>GEX61NB</b>		<b>GEX61N</b>	<b>GEX7162N</b> <b>GEX7250N</b> <b>GEX7387N</b>	7mm/ 0.3"

#### Switch disconnectors with NH fuse holder.

<b>GE0160 NT4</b>	160	160	125	<b>GEX61D</b>	<b>GEX61NB</b>	<b>GEX61N</b>	<b>GEX7162N</b> <b>GEX7250N</b> <b>GEX7387N</b>	7mm/ 0.3"	192/7.56" 265/10.43" 402/15.83"	<b>GEX1011N</b>	00	<b>GEX8203</b>	<b>GEX8203</b>
<b>GE0161 NT4</b>	160	160	160					<b>GEX62D</b>	<b>GEX66NB</b>		<b>GEX66N</b>	<b>GEX7227N</b> <b>GEX7375N</b> <b>GEX7536N</b>	10mm/ 0.4"
<b>GE0250 NT4</b>	250	250	250	<b>GEX63D</b>	<b>GEX67NB</b>	<b>GEX67N</b>	<b>GEX7195N</b> <b>GEX7345N</b> <b>GEX7535N</b>			14mm/ 0.6"			271/10.67" 421/16.57" 611/24.05"
<b>GE0400 NT4</b>	400	400	400					<b>GEX64D</b>	<b>GEX68NB</b>	<b>GEX68N</b>	<b>GEX7195N</b> <b>GEX7345N</b> <b>GEX7535N</b>	14mm/ 0.6"	285/11.22" 435/17.12" 625/24.61"
<b>GE0630 NT4</b>	630	630	630	<b>GE0800 NT4</b>	800	630	630					630	630

#### Switch disconnectors with BS fuse holder.

<b>GE0160 BT4</b>	160	160	160	<b>GEX62D</b>	<b>GEX66NB</b>	<b>GEX66N</b>	<b>GEX7227N</b> <b>GEX7375N</b> <b>GEX7536N</b>	10mm/ 0.4"	302/11.89" 450/17.72" 611/24.05"	<b>GEX1011</b>	A4 B1-B2	<b>GEX8213</b>	<b>GEX8213</b>
<b>GE0200 BT4</b>	200	200	200					<b>GEX63D</b>	<b>GEX67NB</b>		<b>GEX67N</b>	<b>GEX7195N</b> <b>GEX7345N</b> <b>GEX7535N</b>	14mm/ 0.6"
<b>GE0250 BT4</b>	250	250	250	<b>GEX64D</b>	<b>GEX68NB</b>	<b>GEX68N</b>	<b>GEX7195N</b> <b>GEX7345N</b> <b>GEX7535N</b>			14mm/ 0.6"			285/11.22" 435/17.12" 625/24.61"
<b>GE0315 BT4</b>	315	315	315					<b>GE0400 BT4</b>	400	400	400	400	400
<b>GE0400 BT4</b>	400	400	400	<b>GE0630 BT4</b>	630	630	630						
<b>GE0630 BT4</b>	630	630	630					<b>GE0800 BT4</b>	800	630	630	630	630

① The motorised control unit cannot be installed.

② Standard supplied with IP20 terminal protection warranted by wired equipment with only maximum conductor section of 95mm<sup>2</sup>. Suitable for mounting on 35mm DIN (IEC/EN 60715) rail, adapter kit is available on page 11-19.

③ IEC 250A Ith; IEC 200A AC21A ≤500V.

④ Standard supplied with IEC IP20 terminal protection warranted by wired equipment with only maximum conductor section of 35mm<sup>2</sup> for GE0050 FT4 and of 95mm<sup>2</sup> for GE0125 FT4.



### Three-pole switch disconnectors



**GA040 D**      **GA080 D**  
**GA125 D**

Order code	IEC conventional free air thermal current Ith	IEC rated operational current Ie DC21B			Qty per pkg	Wt [kg]
		800V 4 p	1000V 6 p	1000V 8 p		
[A]	[A]	[A]	[A]	[A]	n°	[kg]

Direct operating version, complete with black handle.  
For door-coupling version, separately purchase the handle and shaft extension; refer to pages 11-9 and 11-10.

Order code	40	80	125	15	18	20	25	32	40	1	1	1	0.135	0.355	0.355
<b>GA040 D</b>															
<b>GA080 D</b>															
<b>GA125 D</b>															

ⓘ For other operational voltages, refer to technical characteristics on page 11-52 or 11-58.

**NOTE:** See UL/CSA ratings on page 11-58 and/or on the bottom of page 11-4.

### Fourth pole add-on



**GAX42...D**

Fourth pole add-on with simultaneous closing operation as corresponding GA...D switch poles ⓘ.

Order code	40	80	125	—	—	—	1	1	1	0.040	0.110	0.110
<b>GAX42 040D</b>												
<b>GAX42 080D</b>												
<b>GAX42 125D</b>												

### UTILISATION IN DC21B CATEGORY

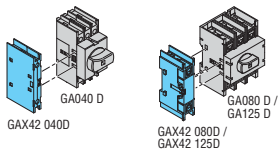
IEC operational voltage Ue 600V		
Maximum Current [A]	Assembly	Products to purchase and connect together
20	GA040D - 4 poles	GA040D + GAX42040D
30	GA080D - 4 poles	GA080D + GAX42080D
35	GA040D - 6 poles	GA040D + GA040D + GAX6000
40	GA125D - 4 poles	GA125D + GAX42125D
45	GA080D - 6 poles	GA080D + GA080D + GAX6001
50	GA125D - 6 poles	GA125D + GA125D + GAX6001

IEC operational voltage Ue 800V		
Maximum Current [A]	Assembly	Products to purchase and connect together
15	GA040D - 4 poles	GA040D + GAX42040D
18	GA080D - 4 poles	GA080D + GAX42080D
20	GA125D - 4 poles	GA125D + GAX42125D
25	GA040D - 6 poles	GA040D + GA040D + GAX6000
35	GA040D - 8 poles	GA040D + GA040D + GAX6000 + GAX42040D + GAX42040D
40	GA125D - 6 poles	GA125D + GA125D + GAX6001
50	GA080D - 8 poles	GA080D + GA080D + GAX6001 + GAX42080D + GAX42080D
60	GA125D - 8 poles	GA125D + GA125D + GAX6001 + GAX42125D + GAX42125D

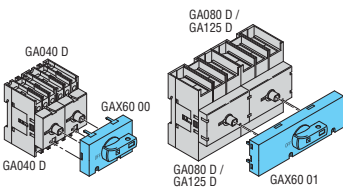
IEC operational voltage Ue 1000V		
Maximum Current [A]	Assembly	Products to purchase and connect together
10	GA040D - 6 poles	GA040D + GA040D + GAX6000
20	GA080D - 6 poles	GA080D + GA080D + GAX6001
25	GA040D - 8 poles	GA040D + GA040D + GAX6000 + GAX42040D + GAX42040D
32	GA080D - 8 poles	GA080D + GA080D + GAX6001 + GAX42080D + GAX42080D
40	GA125D - 8 poles	GA125D + GA125D + GAX6001 + GAX42125D + GAX42125D

ⓘ For other operational voltages, refer to technical characteristics on page 11-52 or 11-58.

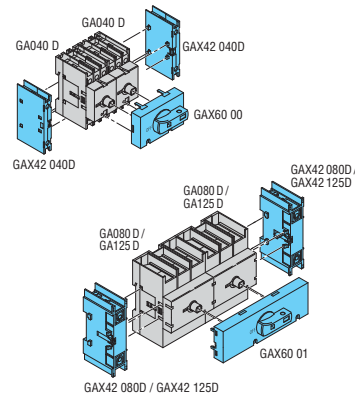
### 4-pole assembly



### 6-pole assembly



### 8-pole assembly



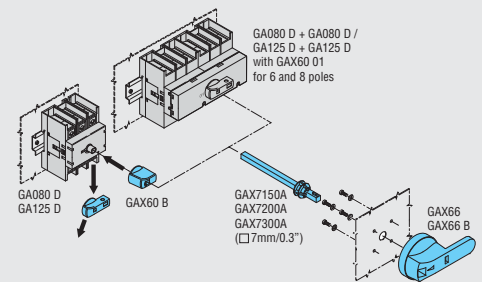
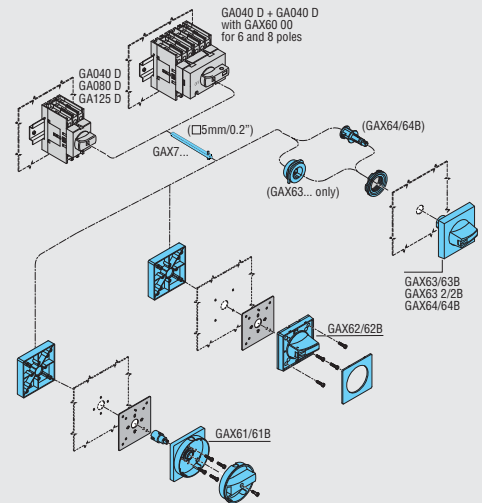
### General characteristics

- IEC 40A to 125A ratings
- Available versions:
  - Direct operating
  - Door coupling version. Use switch disconnector with direct actuator and separately purchase the handle and shaft extension for this version. See pages 11-9 and 11-10.
- Screw or 35mm DIN (IEC/EN 60715) rail fixing
- Padlockable in 0 position with no extra accessory.

### Operational characteristics

- IEC rated insulation voltage Ui: 1000V
- IEC rated impulse withstand Uimp: 8kV
- Mechanical life:
  - 100,000 cycles for GA040 D and GAX42 040 D
  - 30,000 cycles for GA080 D, GAX42 080 D, GA125D and GAX42 125D.

Transformation of direct operating version into door coupling type



### Certifications and compliance

Certifications obtained: EAC; UL Listed for USA and Canada (cULus - File E93602) as Manual Motor Controllers, to UL508/CSA C22.2 n° 14 for GA040 D and GAX42 040D; (cULus - File E328470) as Open Type Switches to UL98/CSA C22.2 n° 4 for GA080 D, GA125 D, GAX42 080D and GAX42 125D.  
Compliant with standards: IEC/EN 60947-1, IEC/EN 60947-3, UL508, UL98, CSA C22.2.

Strokes of GA...D types (switch and add-on pole)

	Travel 0 → 1	0°	30°	60°	90°
GA040 D Main poles				60°	
GAX420 40D Simultaneous fourth-pole add on				60°	
GA080 D - GA125 D Main poles				55°	
GAX42 080D - GAX42 125D Simultaneous fourth-pole add on				55°	
	OFF				ON

### Four-pole switch disconnectors



GE...DT4 - GE...DT4P

Order code	IEC free air thermal	IEC rated operational current Ie DC21B			Qty pkg	Wt per
		220V	800V	1000V		
	[A]	[A]	[A]	[A]	n°	[kg]

Version for photovoltaic applications.  
Separately purchase the handle and shaft extension.

<b>GE0160 DT4</b>	160	160	70	30	1	1.000
<b>GE0160 DT4P</b>	160	160	70	30	1	1.000
<b>GE0125 DT4</b>	125	125	125	100	1	1.900
<b>GE0250 DT4</b>	250	250	250	200	1	2.000
<b>GE0315 DT4</b>	315	315	280	250	1	4.000
<b>GE0630 DT4</b>	630	630	600	500	1	4.500
<b>GE0800 DT4</b>	800	800	630	630	1	4.500
<b>GE1250 DT4</b>	1250	1250	1000	850	1	8.900

- ① Refer to the side table for the selection of the handle. A shaft insert is standard-supplied with all direct operating handles so no other shaft extension is required in this case.
- ② Connection of four poles in series.
- ③ For other operational voltages, refer to technical characteristics on page 11-59.
- ④ Standard supplied with IEC IP20 terminal protection.

### Selection of handles and accessories

Types of handle to use per type are given below. Also refer to pages 11-19 or 20 and at page bottom for other accessories.

Direct operating	Door coupling	
	Black	Red/yellow
GEX65D	GAX66B	GAX66
GEX66ND	GEX66NB	GEX66N
GEX67ND	GEX67NB	GEX67N
GEX68ND	GEX68NB	GEX68N

### General characteristics

- IEC 160A to 1250A ratings
- Available versions:
  - Direct operating
  - Door coupling. Use switch disconnector with direct operation and separately purchase the handle and shaft extension. See page 11-20 and at page bottom.
- Screw fixing: 35mm DIN rail mount adapter kit for GE0160 DT4P on p. 11-19
- Padlockable at 0 position with no extra accessory.

### Operational characteristics

- IEC rated insulation voltage Ui: 1000V
- Mechanical life:
  - 30,000 cycles for GE0160 DT4, GE0160 DT4P
  - 20,000 cycles for GE0125 DT4, GE0250 DT4, GE0315 DT4
  - 10,000 cycles for GE0630 DT4, GE0800 DT4, GE1250 DT4.

### Certifications and compliance

Certifications obtained: EAC.  
Compliant with standards: IEC/EN 60947-1, IEC/EN 60947-3.

### Summary table of combinations

Four-pole type ⑤	Conventional free air thermal current Ith	Rated operational current Ie DC21B ⑥			Direct operating handle	Door-coupling handles			Shaft extension for door-coupling handles (the last 3 digits of GEX code indicate length in mm/in)		Auxiliary contacts 1NO/1NC (SPDT)	Terminal covers for:	
		600V	800V	1000V		Black	Black	Red/Yellow	Shaft section	Max panel depth		Line	Load
Order code	[A]	[A]	[A]	[A]	Order code	Order code	Order code	Order code	□ [mm/in]	[mm/in]	Order code	Order code	Order code
GE0160 DT4	160	160	70	30	GEX65D	GAX66B	GAX66	GAX7150A GAX7200A GAX7300A	7mm/ 0.3"	214/8.42" 236/9.29" 336/13.22"	GEX1011	GEX8101	GEX8101
GE0160 DT4P	160	160	70	30								⑦	⑦
GE0125 DT4	125	125	125	100	GEX66ND	GEX66NB	GEX66N	GEX7227N GEX7375N GEX7536N	10mm/ 0.4"	267/10.51" 415/16.34" 576/22.68"		GEX8111	GEX8111
GE0250 DT4	250	250	250	200									
GE0315 DT4	315	315	280	250									
GE0630 DT4	630	630	600	500	GEX67ND	GEX67NB	GEX67N	GEX7195N GEX7345N GEX7535N	14mm/ 0.8"	251/9.88" 401/15.79" 591/23.27"		GEX8121	GEX8121
GE0800 DT4	800	800	630	630									
GE1250 DT4	1250	1250	1000	850	GEX68ND	GEX68NB	GEX68N			267/10.51" 417/16.42" 607/23.90"		GEX8131	GEX8131

⑤ The motorised control unit cannot be installed.

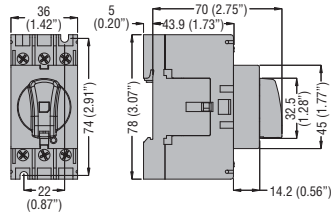
⑥ Connection of four poles in series.

⑦ Standard supplied with IEC IP20 terminal protection warranted by wired equipment with only maximum conductor section of 95mm<sup>2</sup>. Suitable for mounting on 35mm DIN (IEC/EN 60715) rail, adapter kit is available on page 11-19.

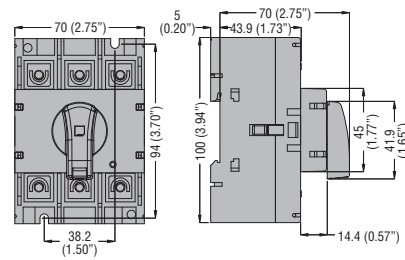
### GA SERIES - 16A TO 125A SWITCH DISCONNECTORS

Direct operating version

**GA016 A - GA040 A**  
**GA063 SA**  
**GA040 D**

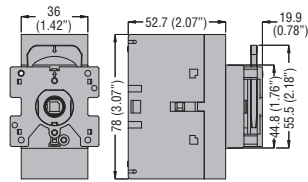


**GA063 A - GA125 A**  
**GA080 D - GA125 D**

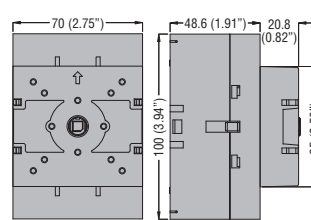


Door mount version

**GA016 C - GA040 C**



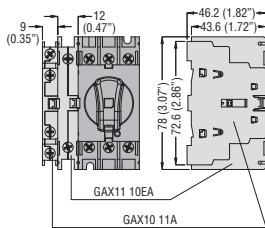
**GA063 C - GA125 C**



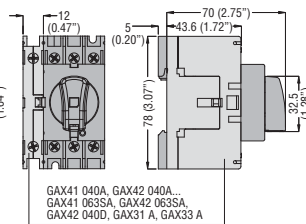
### ADD-ON BLOCKS AND ACCESSORIES

For GA016 A-GA040 A, GA063 SA, GA040 D

Auxiliary contacts  
**GAX10 11A**  
**GAX11 10EA**

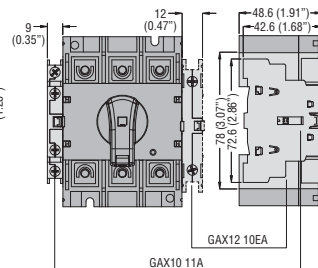


Fourth pole  
**GAX41 040A - GAX42 040A**  
**GAX41 063SA - GAX42 063SA**  
**GAX42 040D**  
Neutral **GAX31 A** -  
earth/ground **GAX33 A** terminals

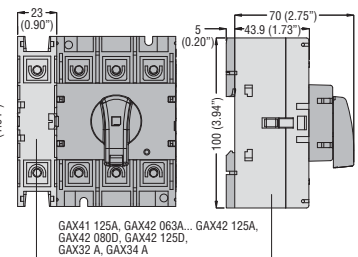


For GA063 A-GA125 A, GA080 D, GA125 D

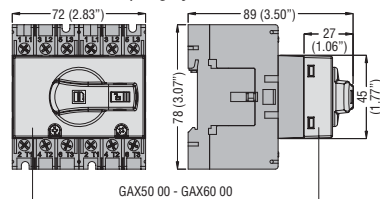
Auxiliary contacts  
**GAX10 11A**  
**GAX12 10EA**



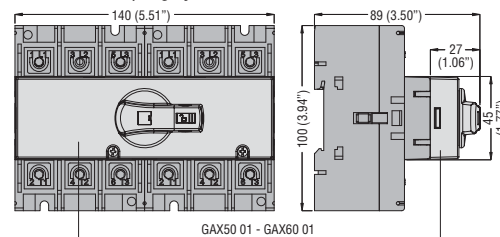
Fourth pole  
**GAX41 125A**  
**GAX42 063A...GAX42 125A**  
**GAX42 080D...GAX42 125D**  
Neutral **GAX32 A** -  
earth/ground **GAX34 A** terminals



Mechanical interlock **GAX50 00** and  
mechanical coupling system **GAX60 00**

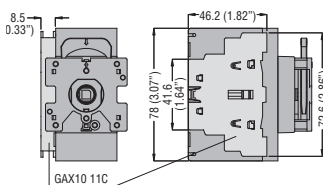


Mechanical interlock **GAX50 01** and  
mechanical coupling system **GAX60 01**

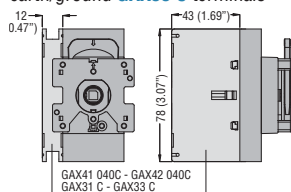


For GA016 C - GA040 C

Auxiliary contacts **GAX10 11C**

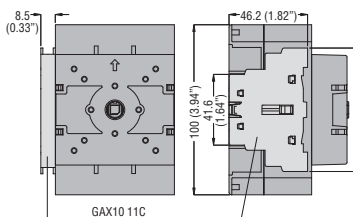


Fourth pole **GAX41 040C - GAX42 040C** -  
Neutral **GAX31 C** -  
earth/ground **GAX33 C** terminals

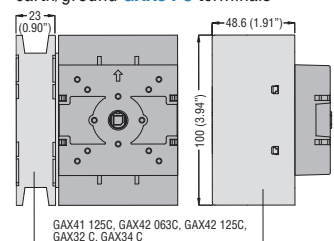


For GA063 C - GA125 C

Auxiliary contacts **GAX10 11C**

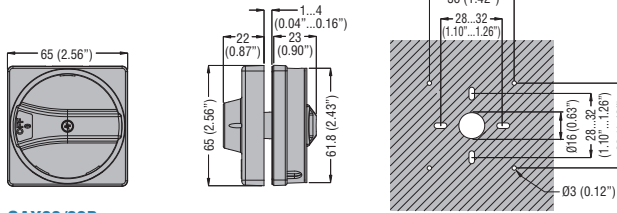


Fourth pole **GAX41 125C - GAX42 063C...GAX42 125C**  
Neutral **GAX32 C** -  
earth/ground **GAX34 C** terminals

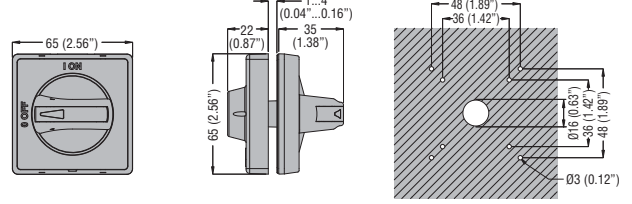


### Rotary handles

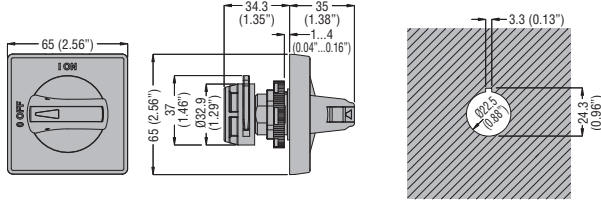
#### GAX61/61B



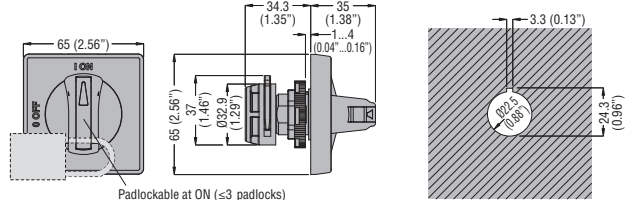
#### GAX62/62B



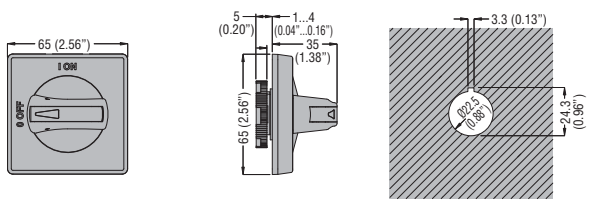
#### GAX63/63B



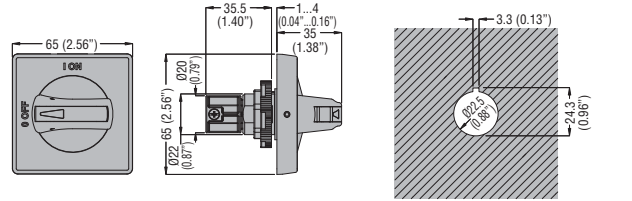
#### GAX63 1B



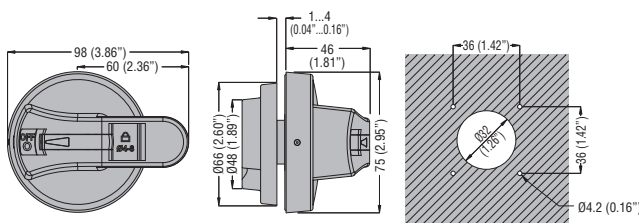
#### GAX63 2/2B



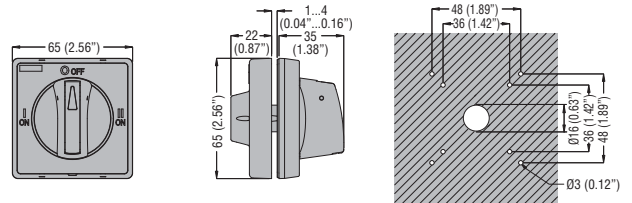
#### GAX64/64B



#### GAX66/66B



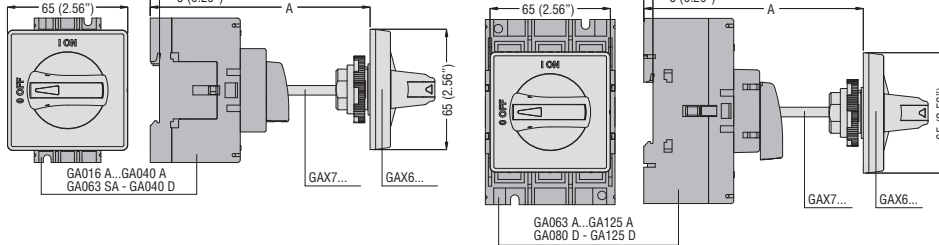
#### GAX67 B



Padlockable at ON (≤3 padlocks)  
per UNI 9490, UNI/EN 12485

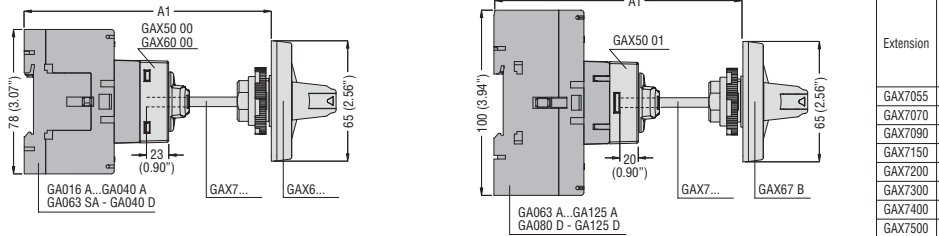
### Shaft extensions for door coupling handles

#### GAX7...



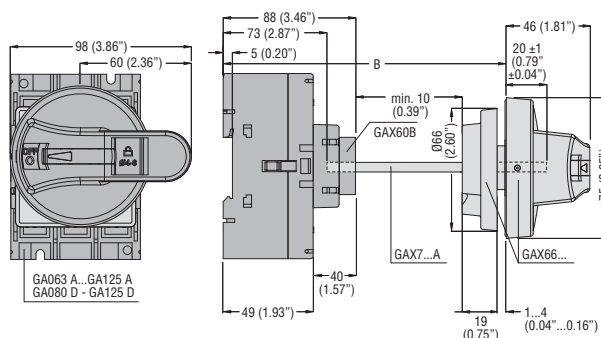
Extension	Length [mm (in)]	A [mm (in)] maximum				
		Type of handle				
		GAX61...	GAX62...	GAX63...	GAX64...	GAX67 B
GAX7055	55 (2.16")	99 (3.90")	97 (3.82")	102 (4.01")	116 (4.57")	97 (3.82")
GAX7070	70 (2.75")	114 (4.49")	112 (4.41")	117 (4.61")	131 (5.16")	112 (4.41")
GAX7090	90 (3.54")	134 (5.27")	132 (5.20")	137 (5.39")	151 (5.94")	132 (5.20")
GAX7150	150 (5.90")	194 (7.64")	192 (7.56")	197 (7.75")	211 (8.31")	192 (7.56")
GAX7200	200 (7.87")	244 (9.61")	242 (9.53")	247 (9.72")	261 (10.27")	242 (9.53")
GAX7300	300 (11.81")	344 (13.54")	342 (13.46")	347 (13.66")	361 (14.21")	342 (13.46")
GAX7400	400 (15.75")	444 (17.48")	442 (17.40")	447 (17.60")	461 (18.15")	442 (17.40")
GAX7500	500 (19.68")	544 (21.42")	542 (21.34")	547 (21.53")	561 (22.09")	542 (21.34")

#### GAX7... used with GAX50 00, GAX50 01 and GAX60 00

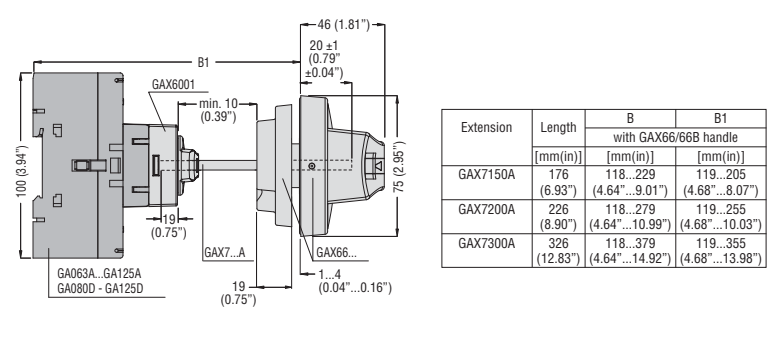


Extension	Length [mm(in)]	A1 [mm (in)] maximum				
		Used with GAX60 00		Used with GAX50 00/GAX50 01		
		GAX61...	GAX62...	GAX63...	GAX64...	GAX67 B
GAX7055	55 (2.16")	116 (4.57")	114 (4.49")	119 (4.68")	133 (5.24")	114 (4.49")
GAX7070	70 (2.75")	131 (5.16")	129 (5.08")	134 (5.27")	148 (5.83")	129 (5.08")
GAX7090	90 (3.54")	151 (5.94")	149 (5.87")	154 (6.06")	168 (6.61")	149 (5.87")
GAX7150	150 (5.90")	211 (8.31")	209 (8.23")	214 (8.42")	228 (8.98")	209 (8.23")
GAX7200	200 (7.87")	261 (10.27")	259 (10.20")	264 (10.39")	278 (10.94")	259 (10.20")
GAX7300	300 (11.81")	361 (14.21")	359 (14.13")	364 (14.33")	378 (14.88")	359 (14.13")
GAX7400	400 (15.75")	461 (18.15")	459 (18.07")	464 (18.27")	468 (18.42")	459 (18.07")
GAX7500	500 (19.68")	561 (22.09")	559 (22.01")	564 (22.20")	578 (22.75")	559 (22.01")

#### GAX7...A used with GAX60 B and GAX66/66B



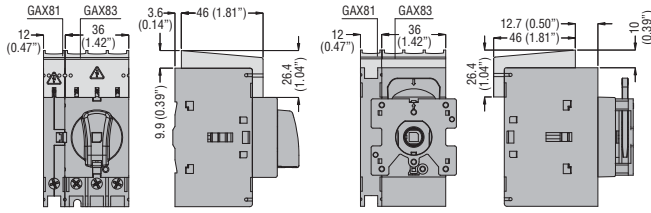
#### GAX7...A used with GAX60 01 and GAX66/66B handle



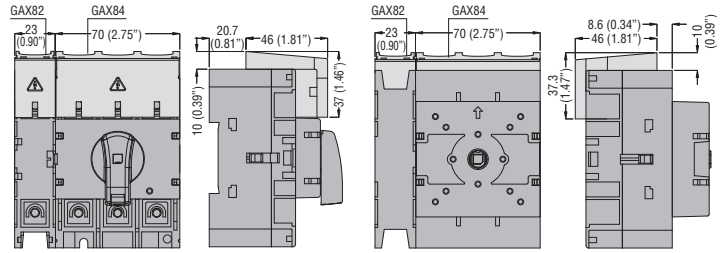
Extension	Length [mm(in)]	B	B1
		with GAX66/66B handle [mm(in)]	[mm(in)]
GAX7150A	176 (6.93")	118...229 (4.64"...9.01")	119...205 (4.68"...8.07")
GAX7200A	226 (8.90")	118...279 (4.64"...10.99")	119...255 (4.68"...10.03")
GAX7300A	326 (12.83")	118...379 (4.64"...14.92")	119...355 (4.68"...13.98")

### Terminal covers

#### GAX81 - GAX83

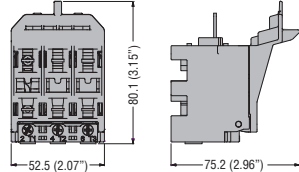


#### GAX82 - GAX84



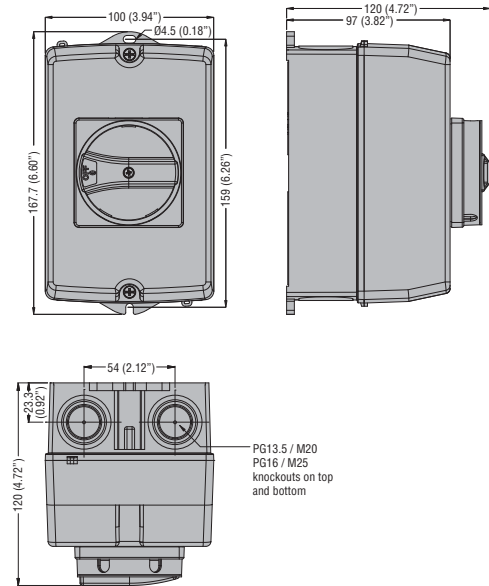
### Fuse holder

#### GAX39 1 - GAX39 1UL

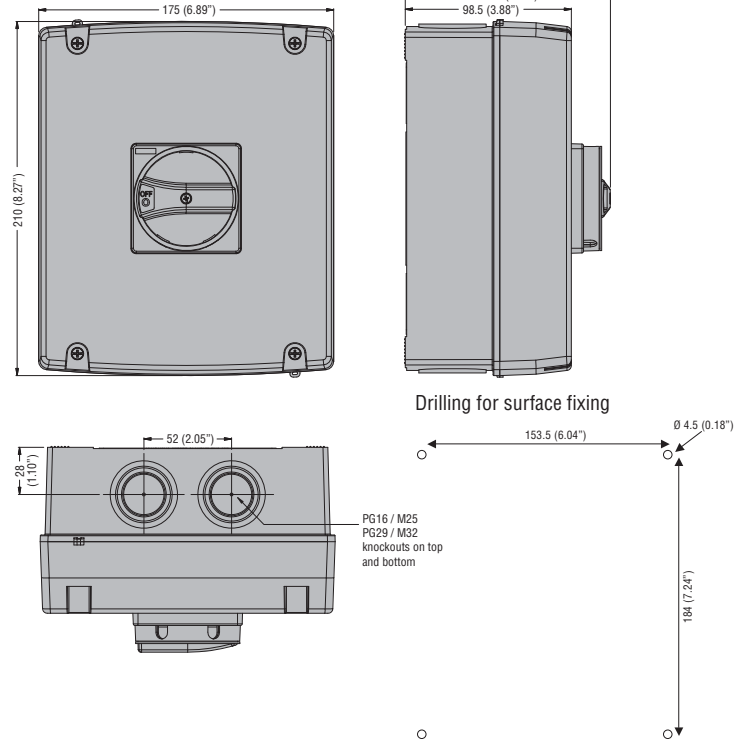


### ENCLOSED SWITCH DISCONNECTORS AND EMPTY ENCLOSURES

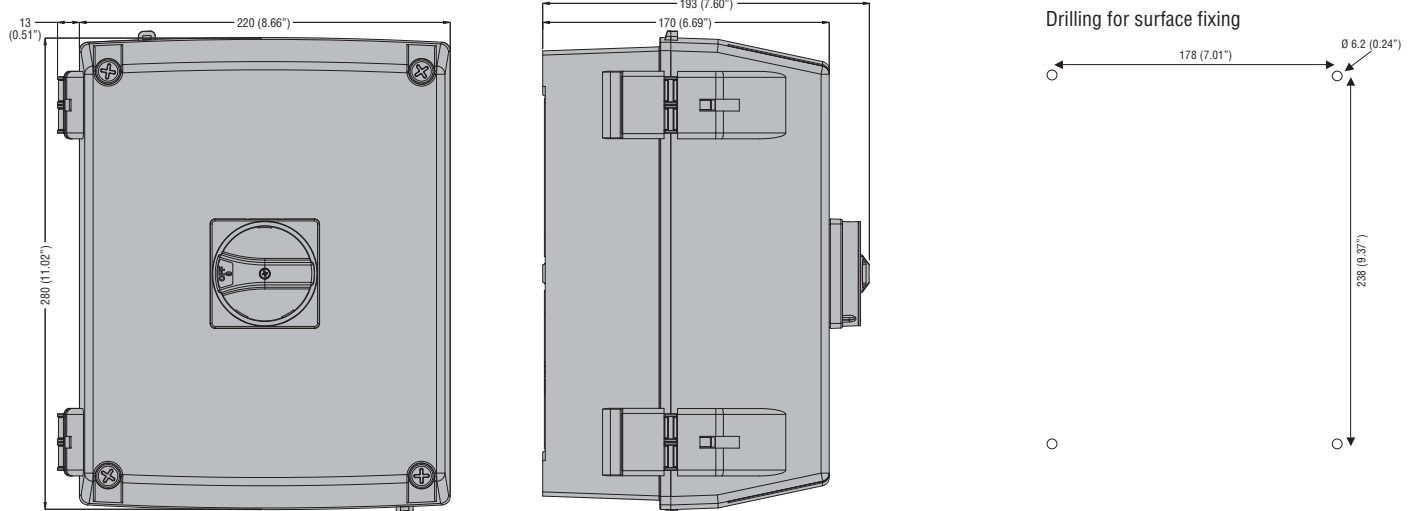
#### GAZ016... - GAZ040... / GAZ016...UL - GAZ040...UL GAZ1... - GAZ1...UL



#### GAZ063 S... - GAZ100 C... / GAZ065S...UL - GAZ063C...UL GAZ2... - GAZ2...UL



#### GAZ125... - GAZ080...UL - GAZ125...UL GAZ3... - GAZ3...UL

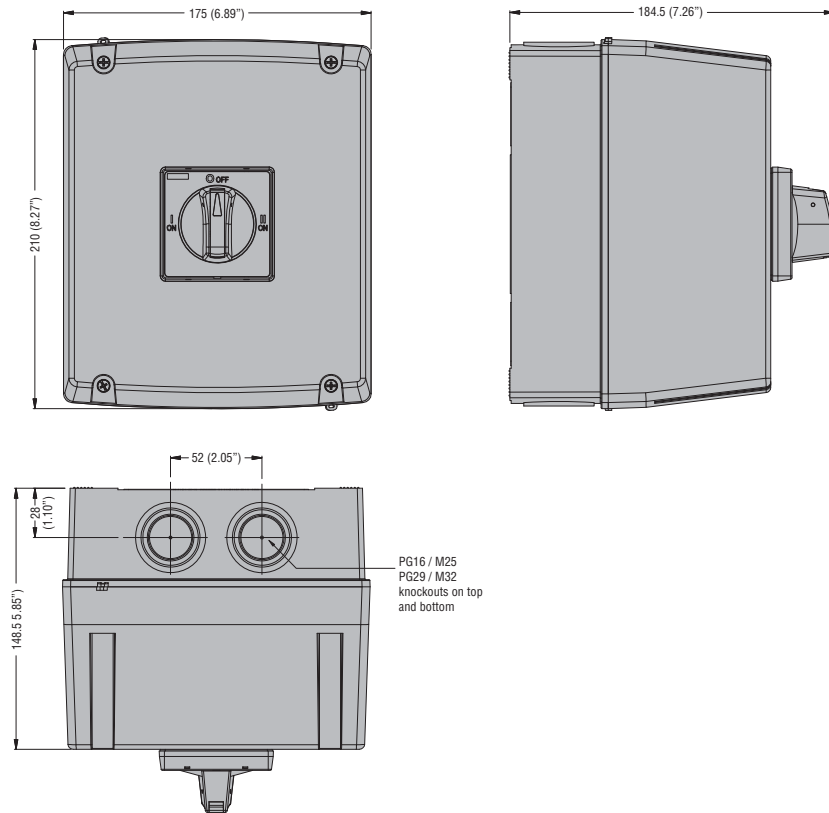


# Switch disconnectors

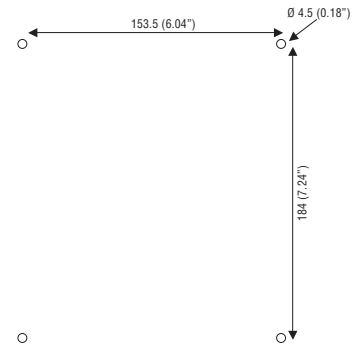
## Dimensions [mm (in)]

### ENCLOSED CHANGEOVER SWITCHES

**GAZ025 ET6...GAZ063 SAET6**  
**GAZ025 ET8...GAZ063 SAET8**

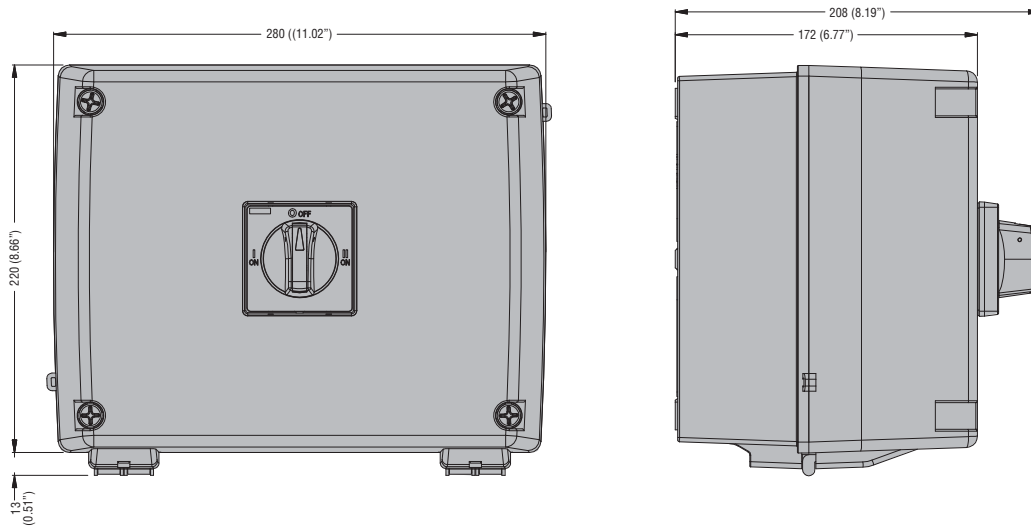


### Drilling for surface fixing

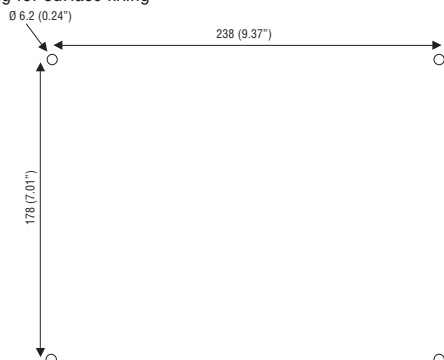


### GAZ080 ET6 - GAZ125 ET6

**GAZ080 ET8 - GAZ125 ET8**

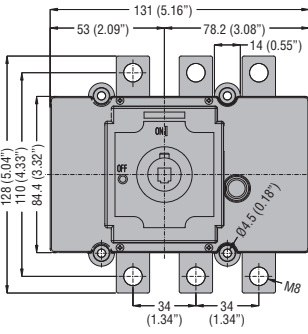


### Drilling for surface fixing

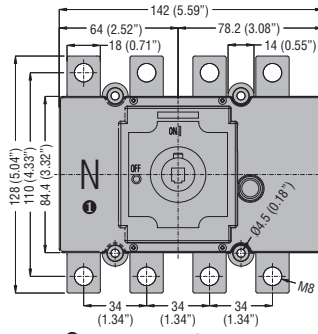


### GE SERIES - 160A TO 1600A SWITCH DISCONNECTORS

#### GE0160

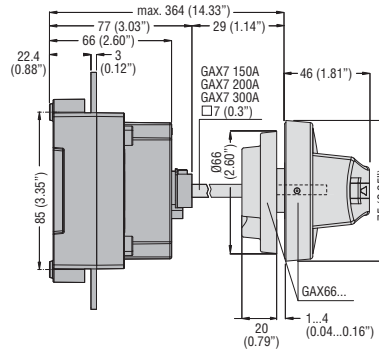


#### GE0160 T4 - GE0160 DT4

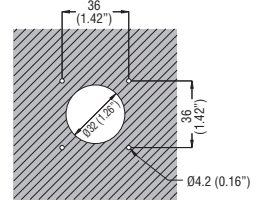


❶ Not indicated on GE0160 DT4 type.

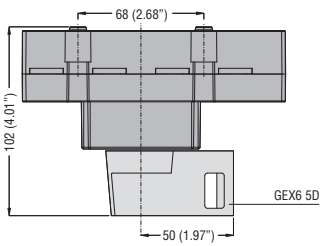
#### Door coupling version with handle GAX66 - GAX66 B



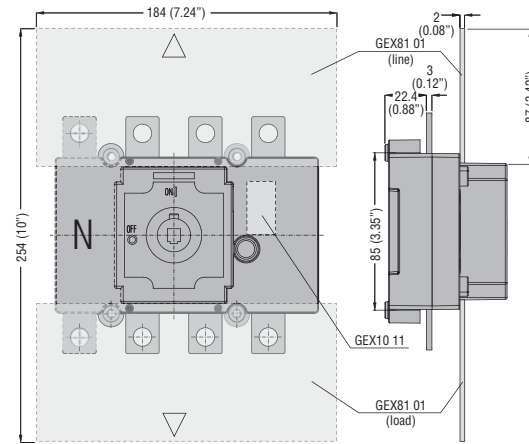
#### Drilling



#### Direct operating version with handle GEX6 5D

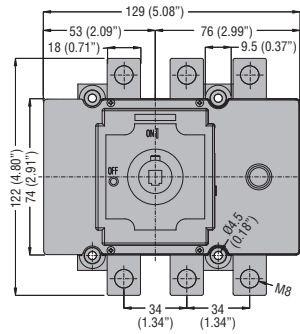


#### With terminal cover and auxiliary contact

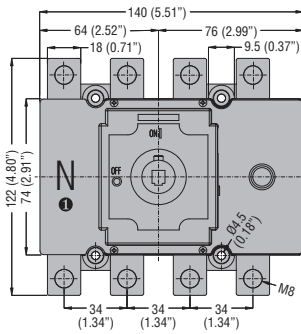


11

#### GE0160 P

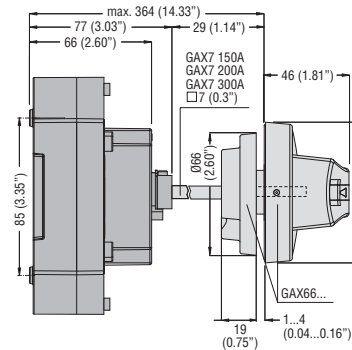


#### GE0160 T4P - GE0160 DT4P

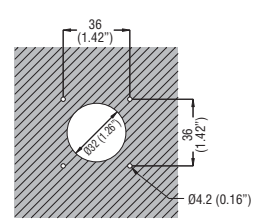


❶ Not indicated on GE0160 DTP4 type.

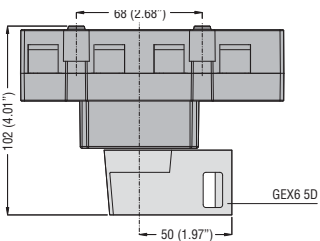
#### Door coupling version with handle GAX66 - GAX66 B



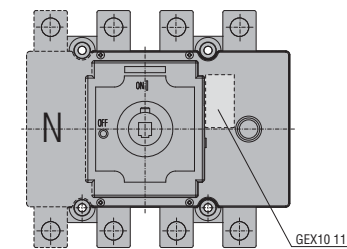
#### Drilling



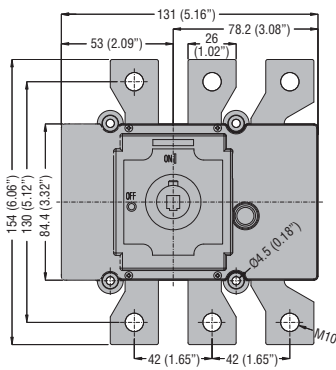
#### Direct operating version with handle GEX6 5D



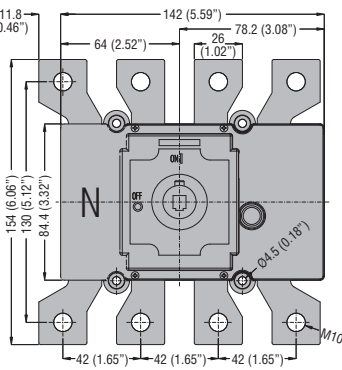
#### With auxiliary contact



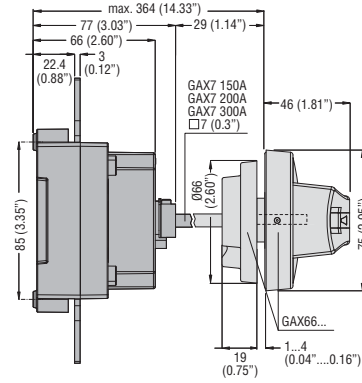
### GE0200 - GE0250



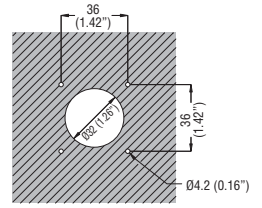
### GE0200 T4 - GE0250 T4



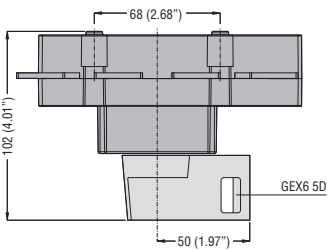
### Door coupling version with handle GAX66 - GAX66 B



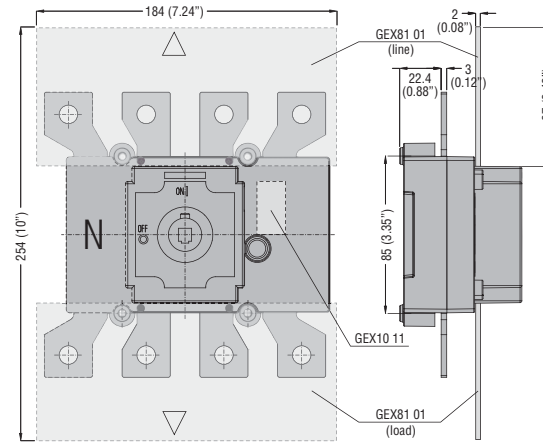
### Drilling



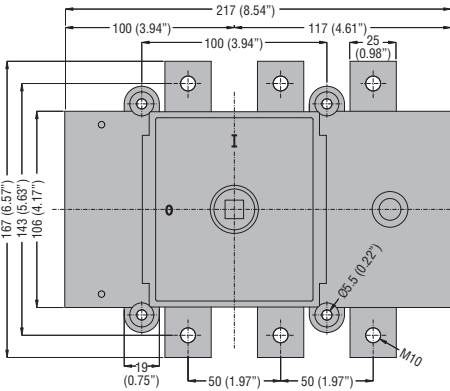
### Direct operating version with handle GEX6 5D



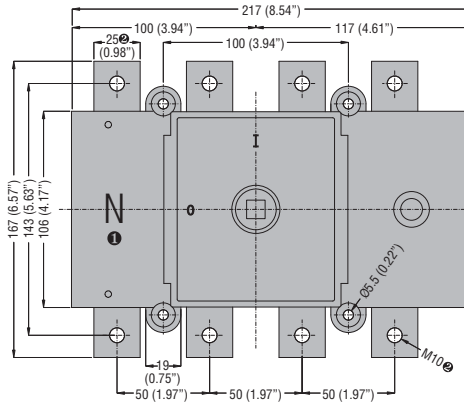
### With terminal cover and auxiliary contact



### GE0251 - GE0315 - GE0400

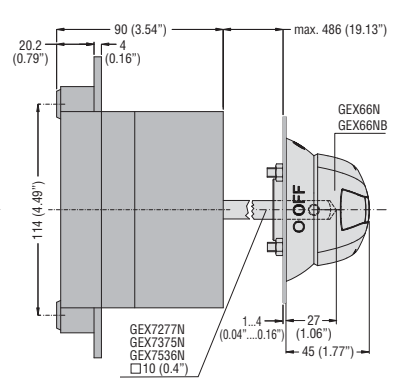


### GE0125 DT4 - GE0250 DT4 - GE0315 DT4 GE0251 T4 - GE0315 T4 - GE0400 T4

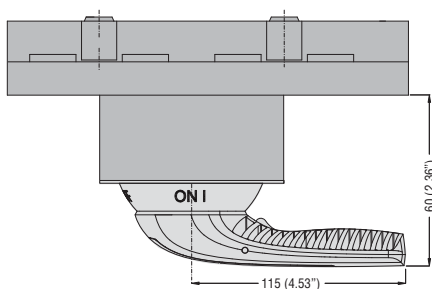


- ❶ Not indicated on GE... DT4 type.
- ❷ 20mm (0.79") and M8 for GE0125 DT4 type.

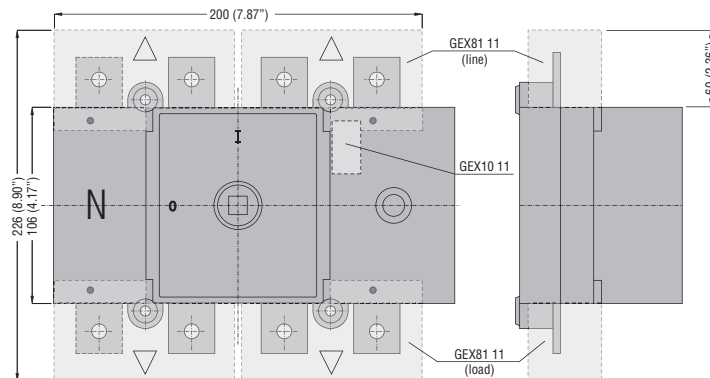
### Door coupling version with handle GEX66N - GEX66NB



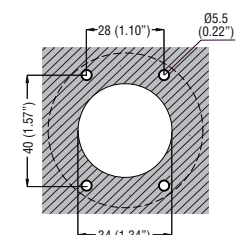
### Direct operating version with handle GEX66ND



### With terminal covers and auxiliary contact

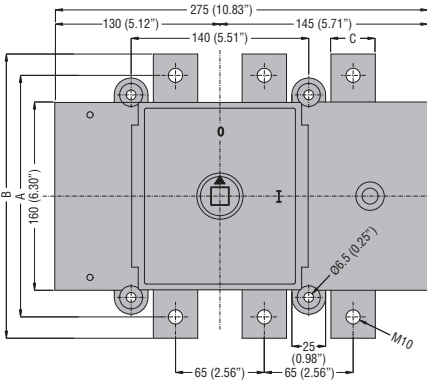


### Drilling

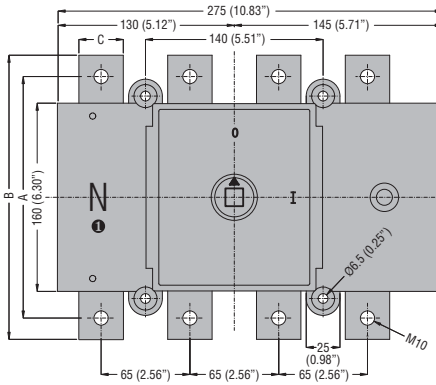




### GE0500 - GE0630 - GE0800



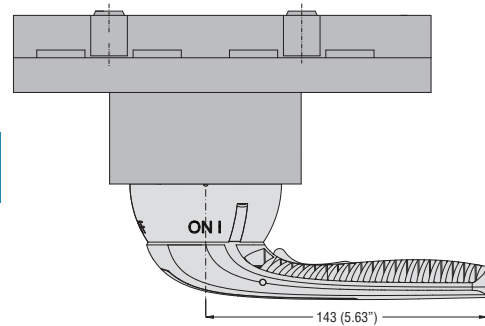
### GE0500 T4 - GE0630 T4 - GE0800 T4 GE0630 DT4 - GE0800 DT4



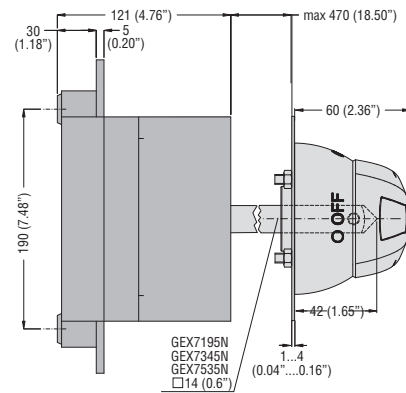
Type	A	B	C
GE0500	190 (7.48")	220 (8.66")	25 (0.98")
GE0630	205 (8.07")	235 (9.25")	30 (1.18")
GE0800	205 (8.07")	235 (9.25")	30 (1.18")
GE0500 T4	190 (7.48")	220 (8.66")	25 (0.98")
GE0630 DT4	205 (8.07")	235 (9.25")	30 (1.18")
GE0630 T4	205 (8.07")	235 (9.25")	30 (1.18")
GE0800 DT4	205 (8.07")	235 (9.25")	30 (1.18")
GE0800 T4	205 (8.07")	235 (9.25")	30 (1.18")

❶ Not indicated on GE... DT4 type.

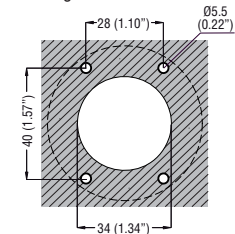
For GE0500 - GE0630 - GE0800 - GE0500 T4 - GE0630 DT4 - GE0630 T4 - GE0800 DT4 - GE0800 T4  
Direct operating version with handle GEX67ND



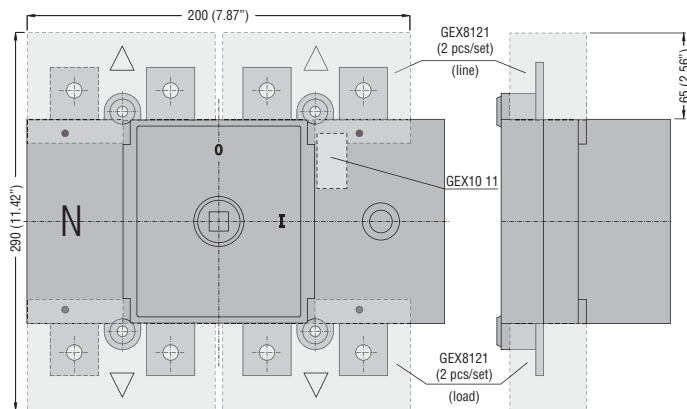
Door coupling version with handle GEX67N - GEX67NB



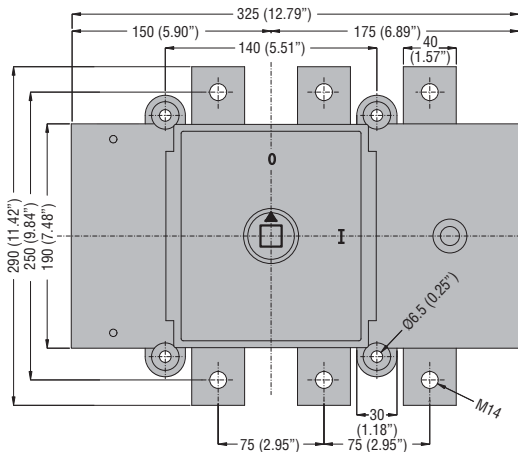
Drilling



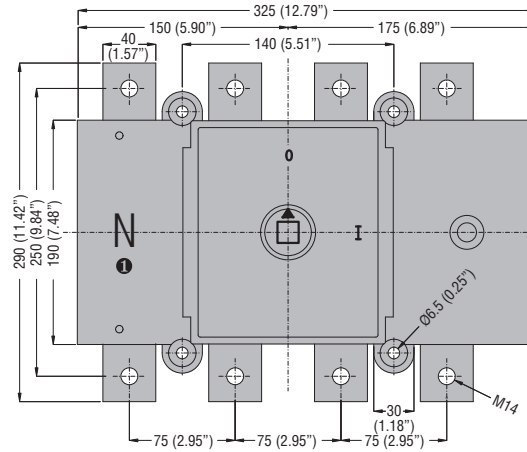
With terminal covers and auxiliary contact



### GE1000 - GE1250

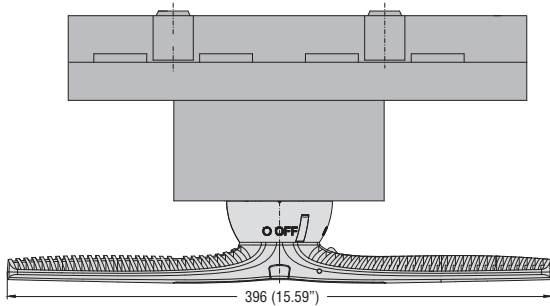


### GE1000 T4 - GE1250 T4 GE1250 DT4

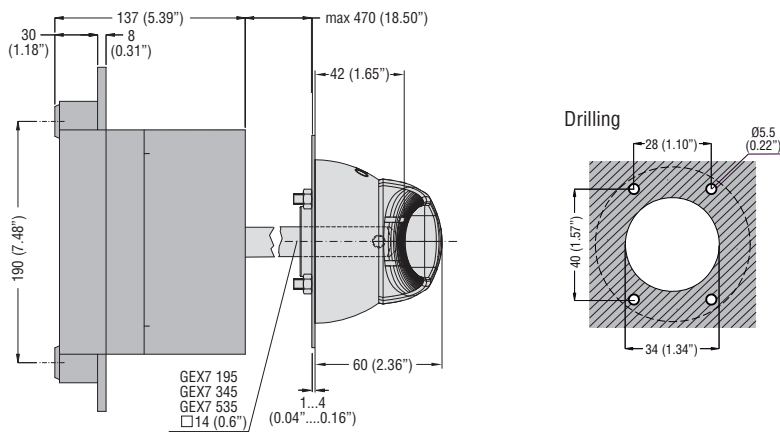


❶ Not indicated on GE... DT4 type.

For GE1000 - GE1250 - GE1000 T4 - GE1250 DT4 - GE1250 T4  
Direct operating version with handle GEX68ND

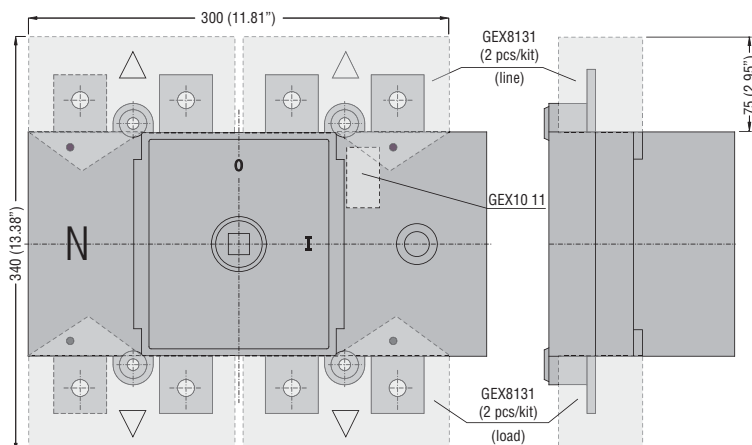


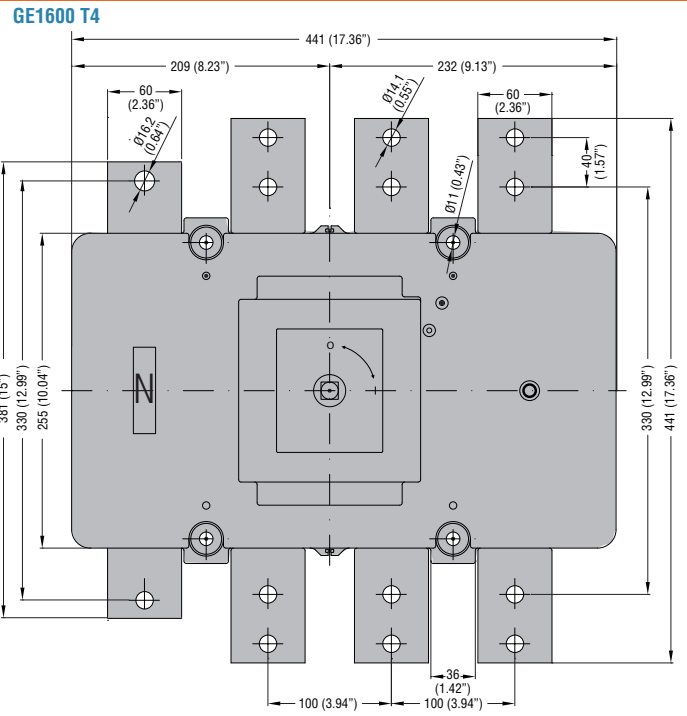
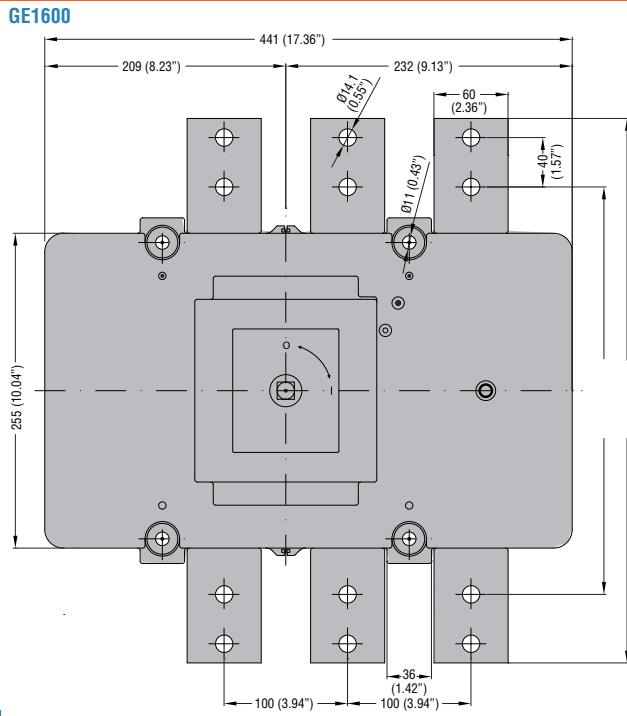
Door coupling version with handle GEX68N - GEX68NB



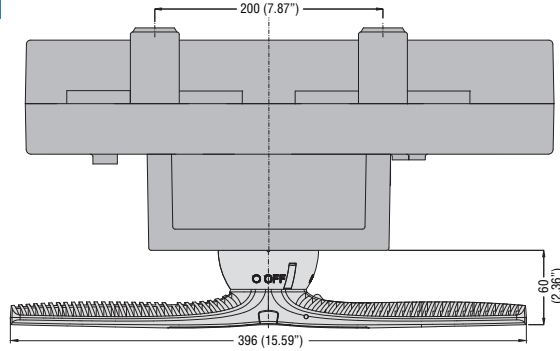
- GEX7 195
- GEX7 345
- GEX7 535
- 14 (0.6")

With terminal covers and auxiliary contact

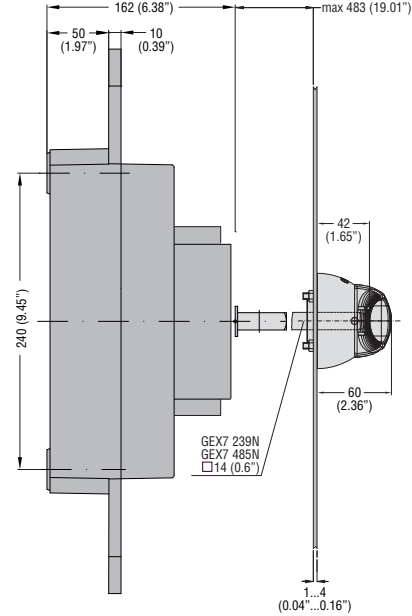




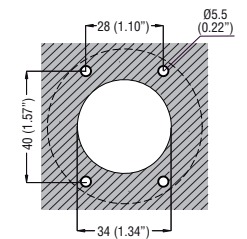
**11** Direct operating version with handle  
GEX68ND



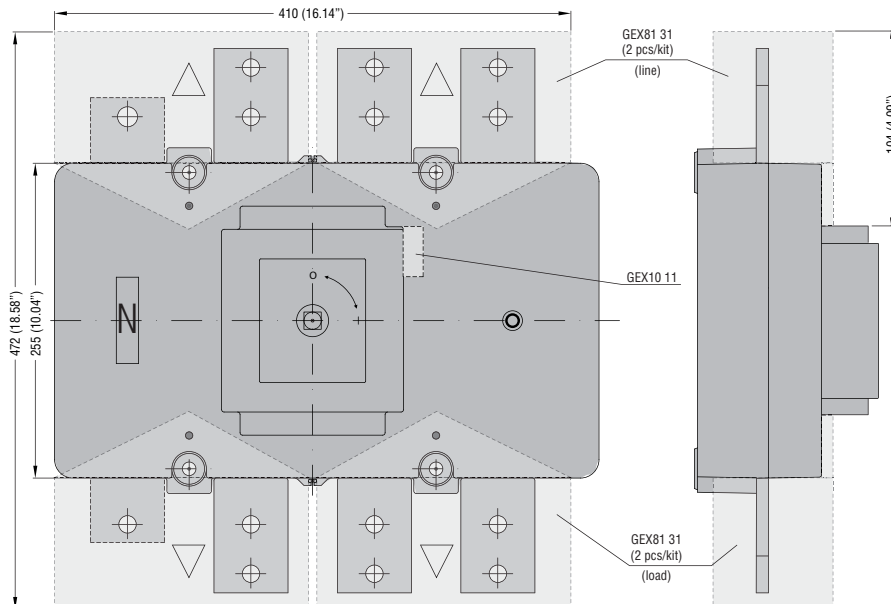
Door coupling version with handle  
GEX68N - GEX68NB



Drilling

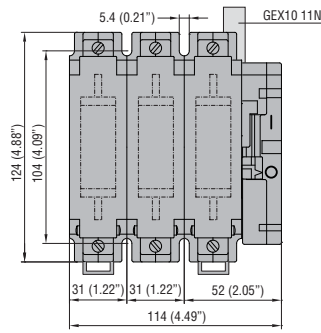


With terminal covers and auxiliary contact

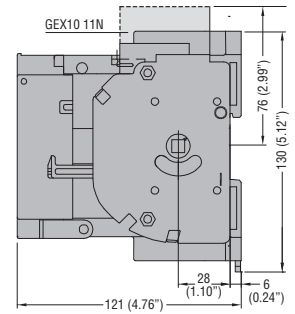
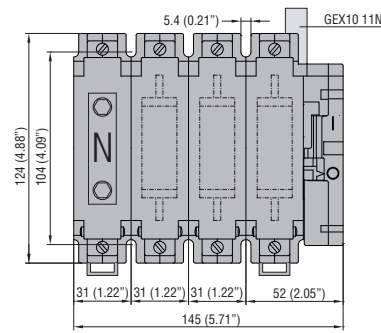


### GE SERIES - 50A TO 800A SWITCH DISCONNECTORS WITH FUSE HOLDER

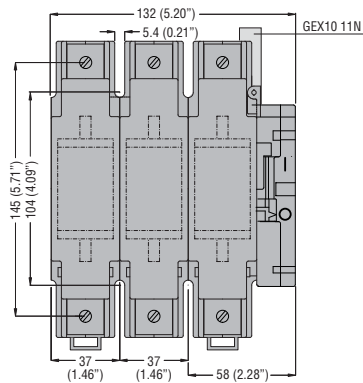
**GE0050 F** with auxiliary contact



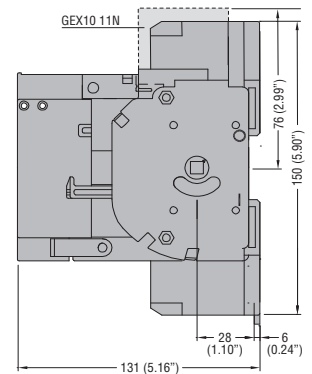
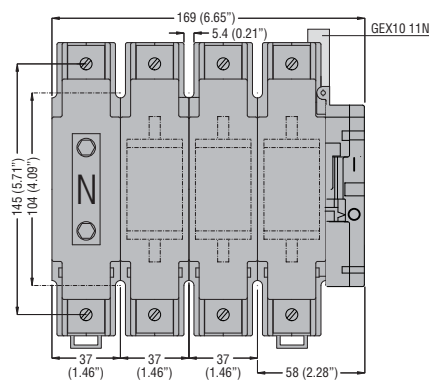
**GE0050 FT4** with auxiliary contact



**GE125 F** with auxiliary contact

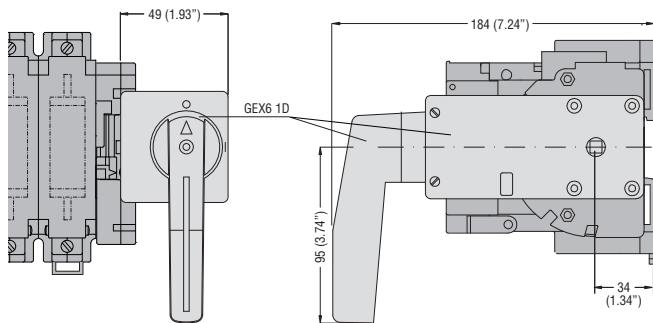


**GE125 FT4** with auxiliary contact



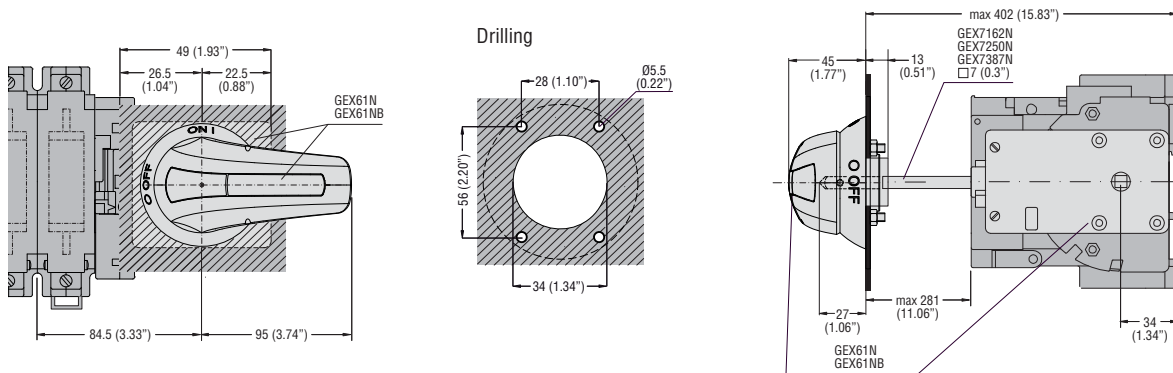
### For GE0050 F - GE0050 FT4 - GE125 F - GE125 FT4

Direct operating version with handle GEX61D

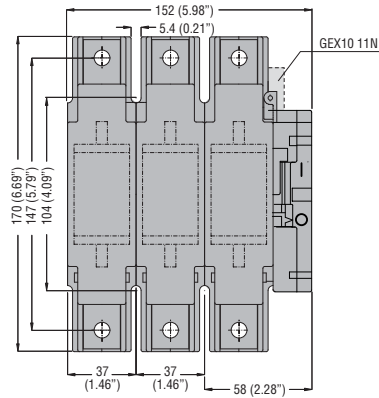


### For GE0050 F - GE0050 FT4 - GE125 F - GE125 FT4

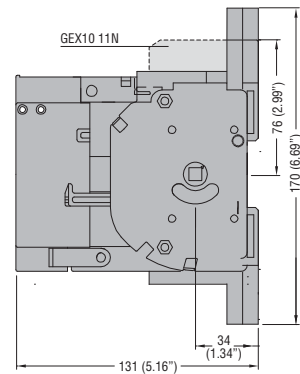
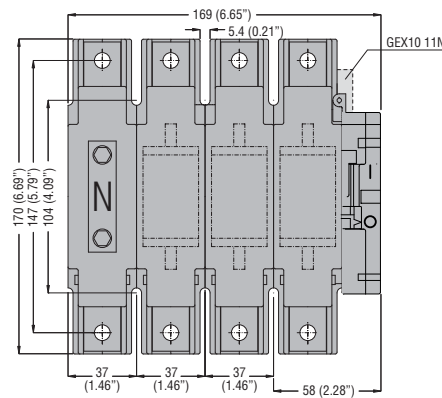
Door coupling version with handle GEX61N - GEX61NB



GE0160 N with auxiliary contact

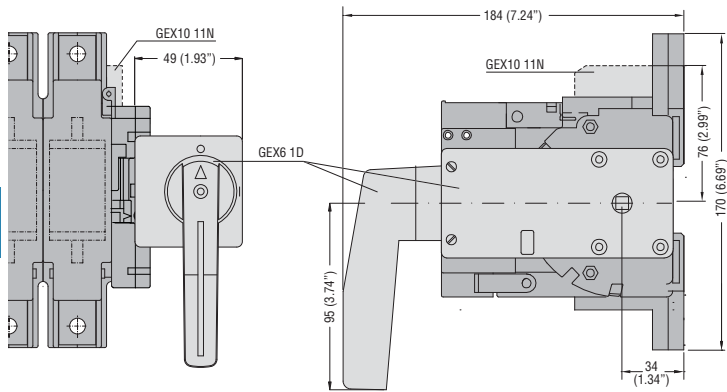


GE0160 NT4 with auxiliary contact



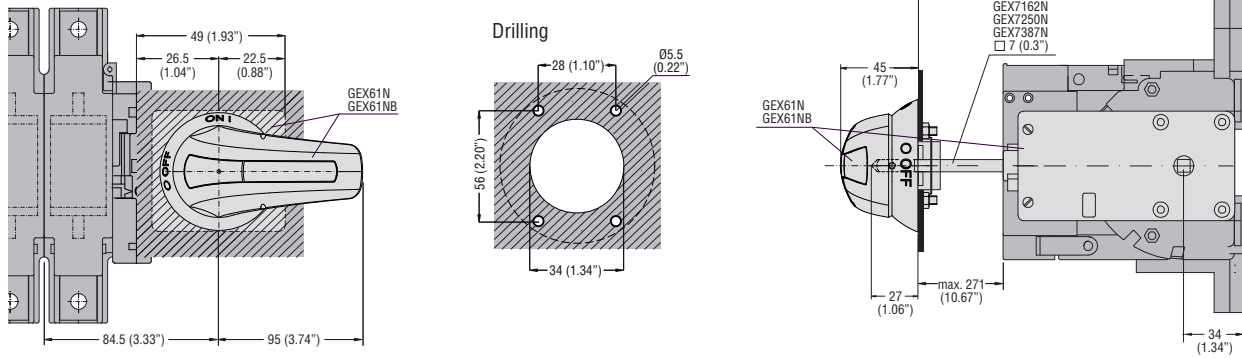
For GE0160 N - GE0160 NT4

Direct operating version with handle GEX61D



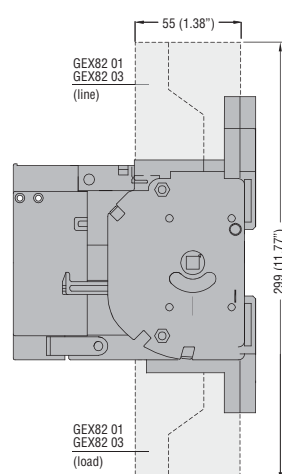
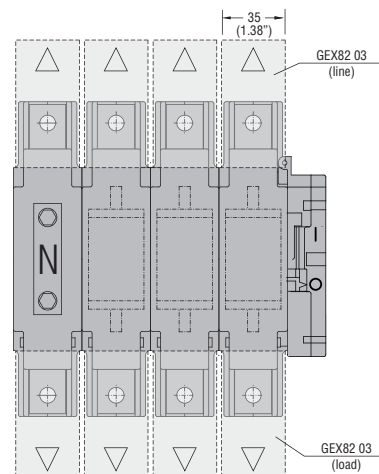
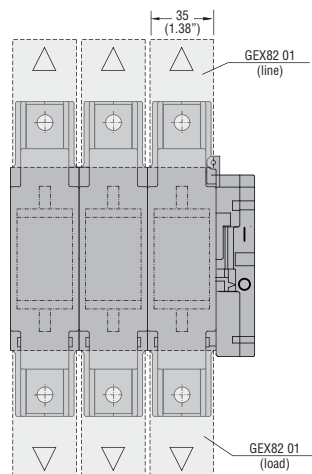
For GE0160 N - GE0160 NT4

Door coupling version with handle GEX6 1 - GEX6 1B



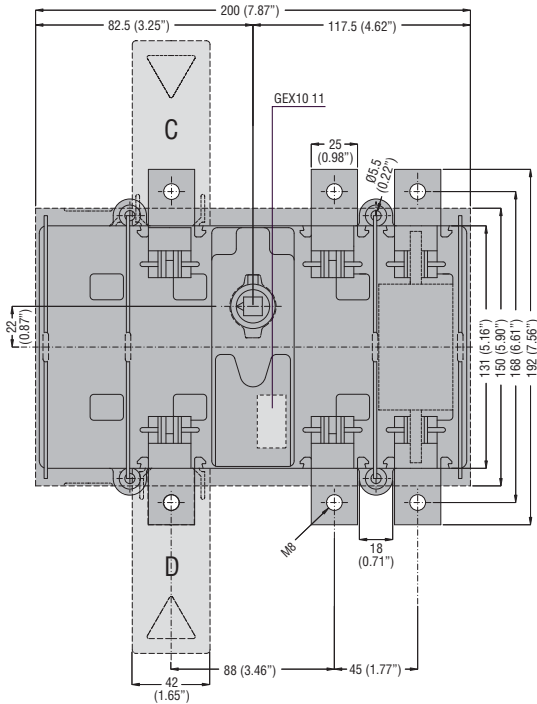
Terminal covers GEX82 01 for GE0160 N

Terminal covers GEX82 03 for GE0160 NT4



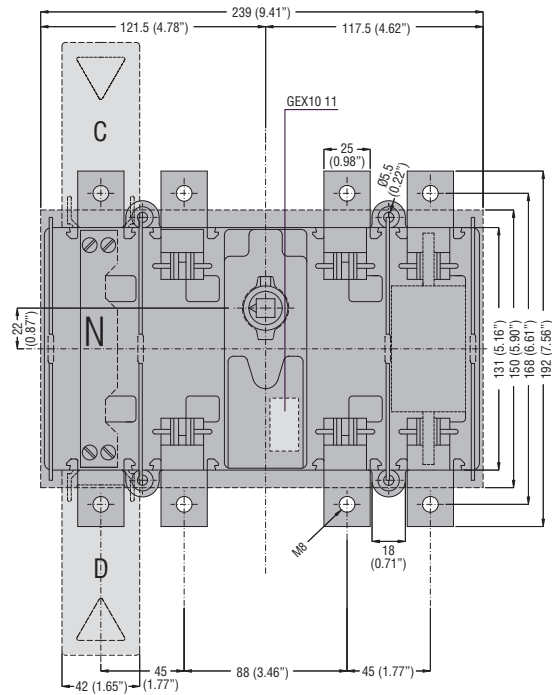
### GE0161 N

with terminal covers and auxiliary contact



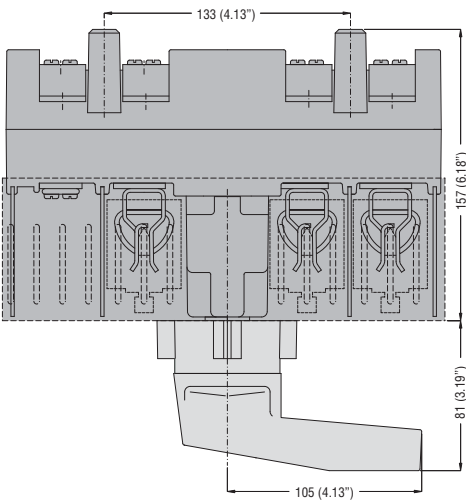
### GE0161 NT4

with terminal covers and auxiliary contact

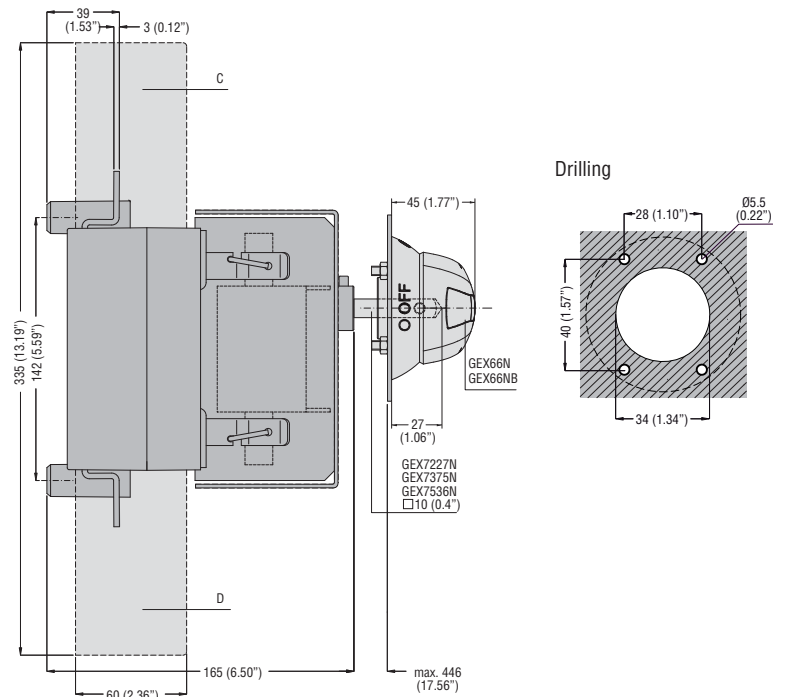


For GE0161 N - GE0161 NT4

Direct operating version with handle GEX62D



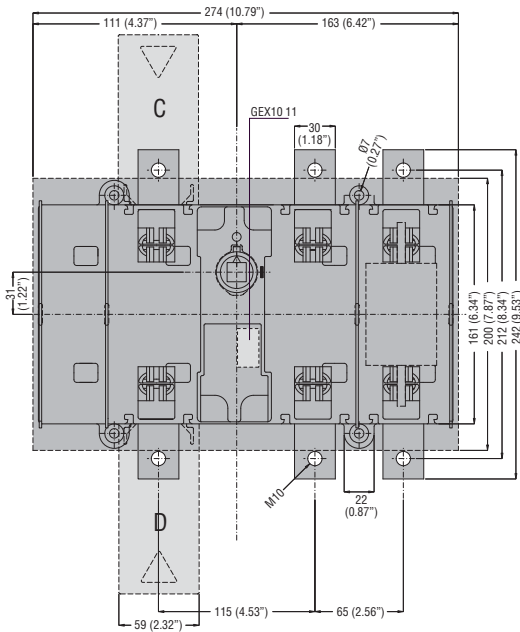
Door coupling version with handle GEX66N - GEX66NB and terminal covers



TYPE	C (line) (N° of pcs/set)	D (load) (N° of pcs/set)
GE0161 N	GEX82 11 (3)	GEX82 12 (3)
GE0161 NT4	GEX82 13 (4)	GEX82 13 (4)

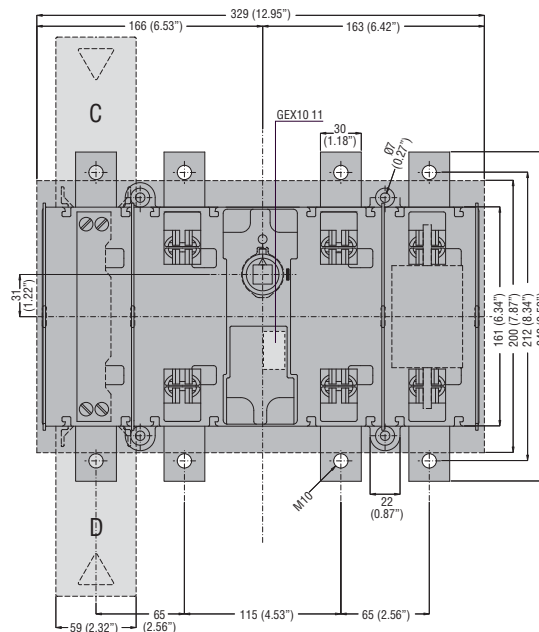
### GE0250 N - GE0400 N - GE0315 B - GE0400 B

with terminal covers and auxiliary contact



### GE0250 NT4 - GE0400 NT4 - GE0315 BT4 - GE0400 BT4

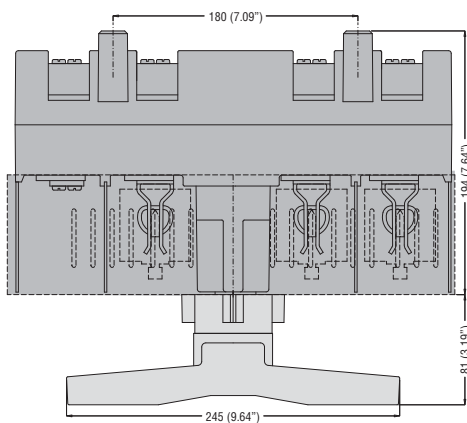
with terminal covers and auxiliary contacts



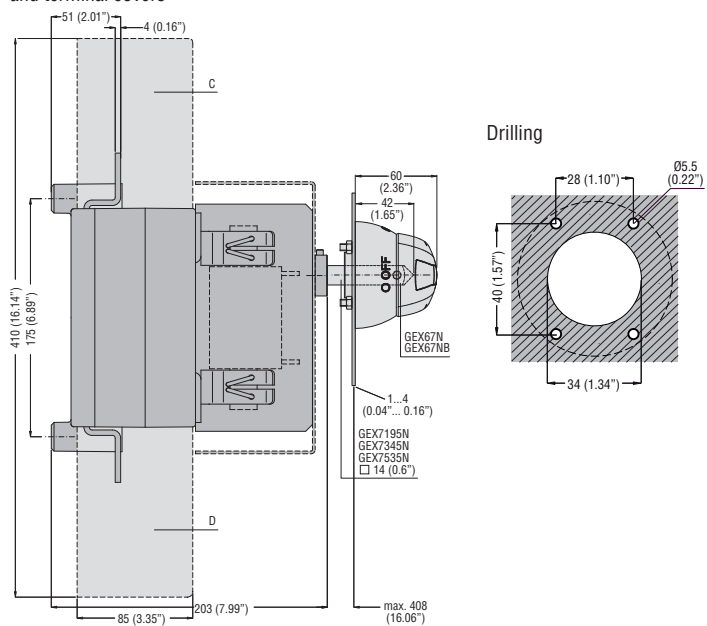
11

### For GE0250 N - GE0400 N - GE0250 NT4 - GE0400 NT4

Direct operating version with handle GEX63D



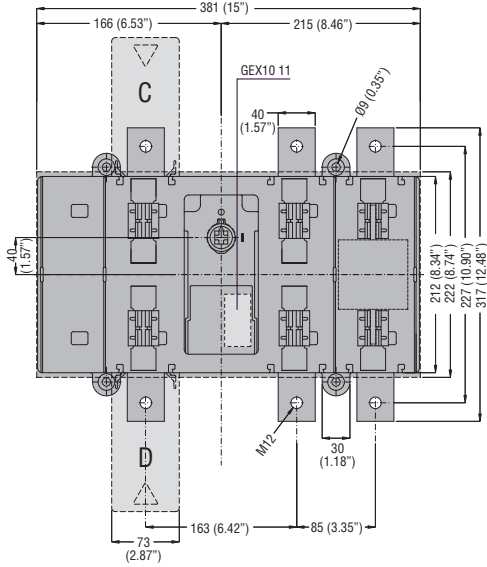
### Door coupling version with handle GEX67N - GEX67NB and terminal covers



TYPE	C (line) (N° of pcs/set)	D (load) (N° of pcs/set)
GE0250 N	GEX82 21 (3)	GEX82 22 (3)
GE0250 NT4	GEX82 23 (4)	GEX82 23 (4)
GE0400 N	GEX82 21 (3)	GEX82 22 (3)
GE0400 NT4	GEX82 23 (4)	GEX82 23 (4)

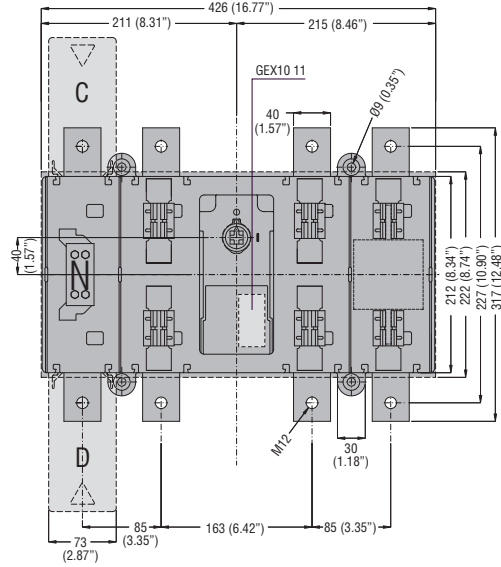
### GE0630 N

with terminal covers and auxiliary contact



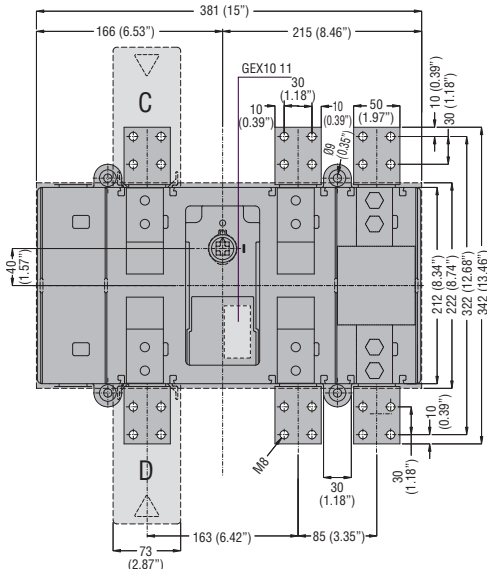
### GE0630 NT4

with terminal covers and auxiliary contact



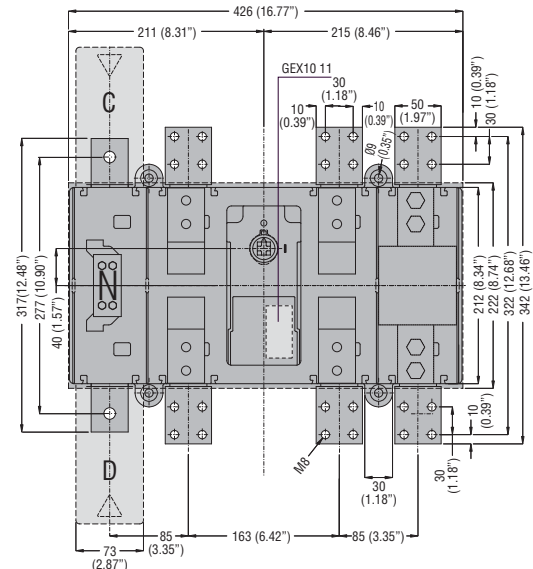
### GE0800 N

with terminal covers and auxiliary contact

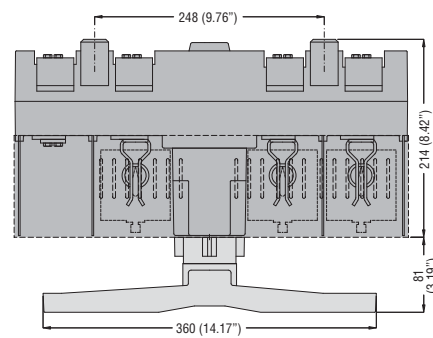


### GE0800 NT4

with terminal covers and auxiliary contact

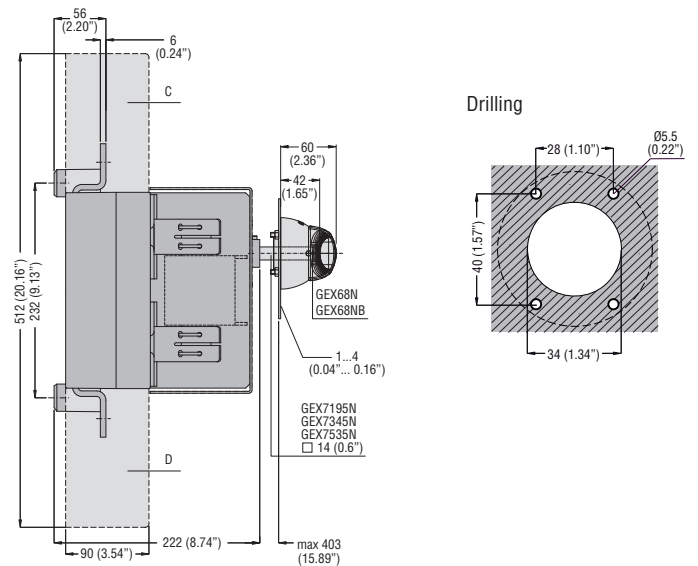


For GE0630 N - GE0630 NT4 - GE0800 N - GE0800 NT4  
Direct operating version with handle GEX64D



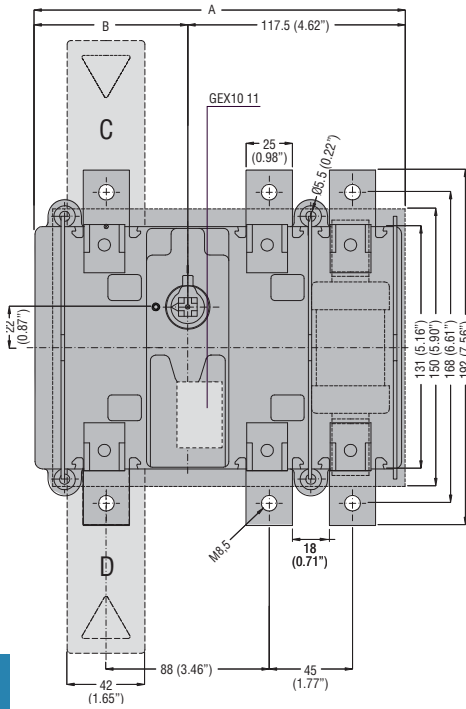
TYPE	C (line) (N° of pcs/set)	D (load) (N° of pcs/set)
GE0630 N - GE0630 B	GEX82 31 (3)	GEX82 32 (3)
GE0630 NT4 - GE0630 BT4	GEX82 33 (4)	GEX82 33 (4)
GE0800 N - GE0800 B	GEX82 31 (3)	GEX82 32 (3)
GE0800 NT4 - GE0800 BT4	GEX82 33 (4)	GEX82 33 (4)

Door coupling handle GEX68N - GEX68NB  
and terminal covers

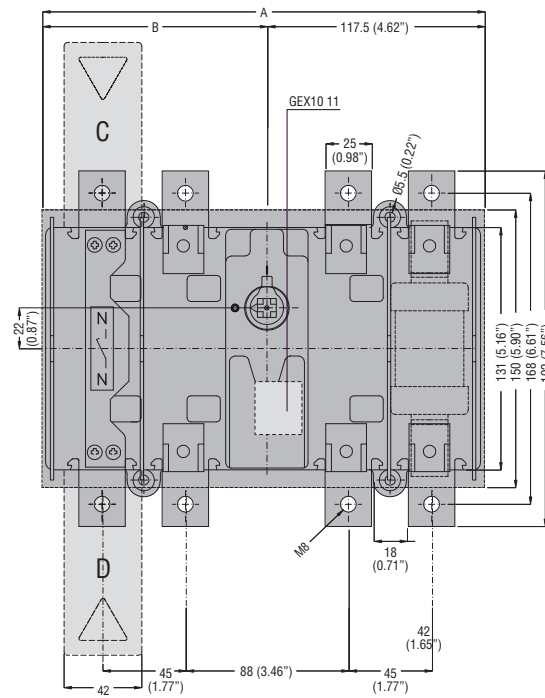




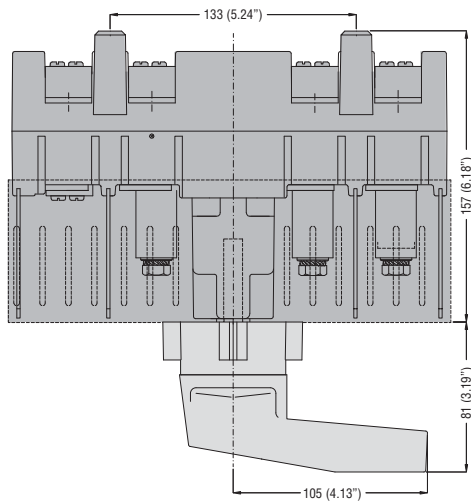
**GE0160 B - GE0200 B - GE0250 B**  
with terminal covers and auxiliary contacts



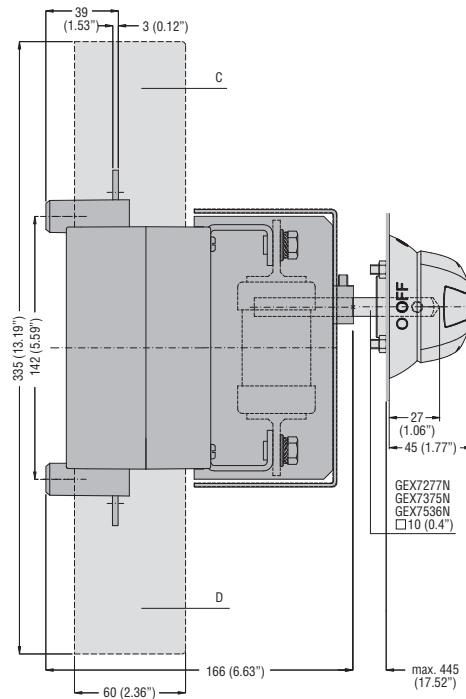
**GE0160 BT4 - GE0200 BT4 - GE0250 BT4**  
with terminal covers and auxiliary contacts



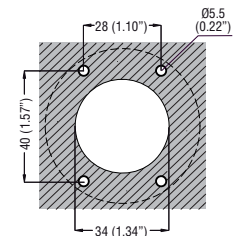
For GE0160 B - GE0200 B - GE0250 B - GE0160 BT4 - GE0200 BT4 - GE0350 BT4  
Direct operating version with handle GEX62D



Door coupling version with handle GEX66N - GEX66NB  
and terminal covers

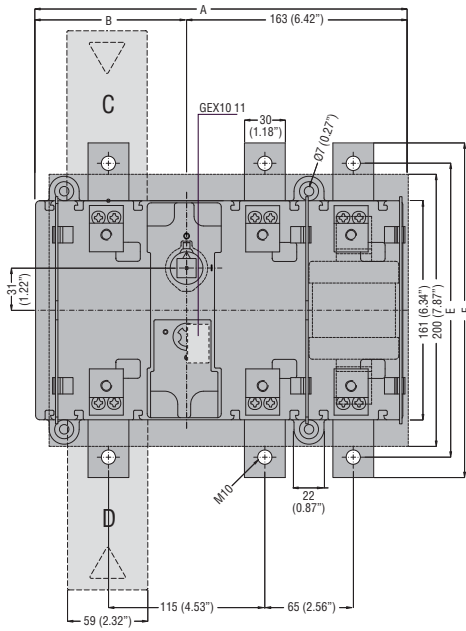


Drilling

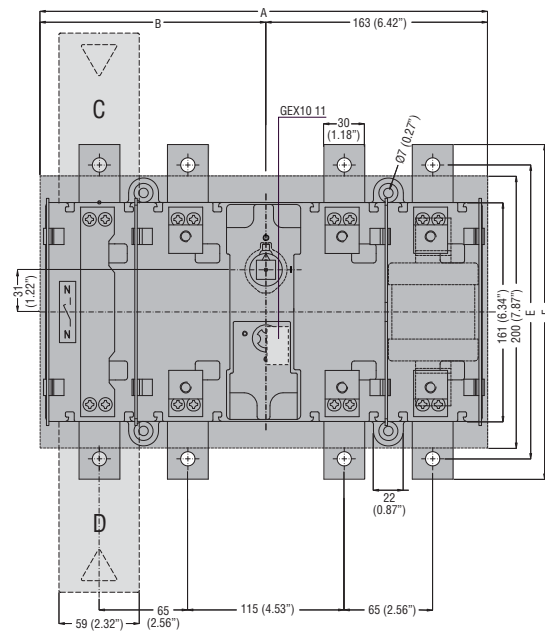


TYPE	A	B	C (line) (N° of pcs/set)	D (load) (N° of pcs/set)
GE0160 B - GE0200 B	200 (7.87")	82.5 (3.25")	GEX82 11 (3)	GEX82 12 (3)
GE0160 BT4 - GE0200 BT4	239 (9.41")	121.5 (4.78")	GEX82 13 (4)	GEX82 13 (4)
GE0250 B	200 (7.87")	82.5 (3.25")	GEX82 11 (3)	GEX82 12 (3)
GE0250 BT4	239 (9.41")	121.5 (4.78")	GEX82 13 (4)	GEX82 13 (4)

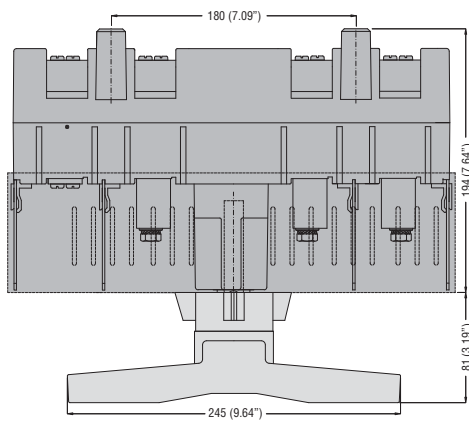
**GE0315 B - GE0400 B**  
with terminal covers and auxiliary contact



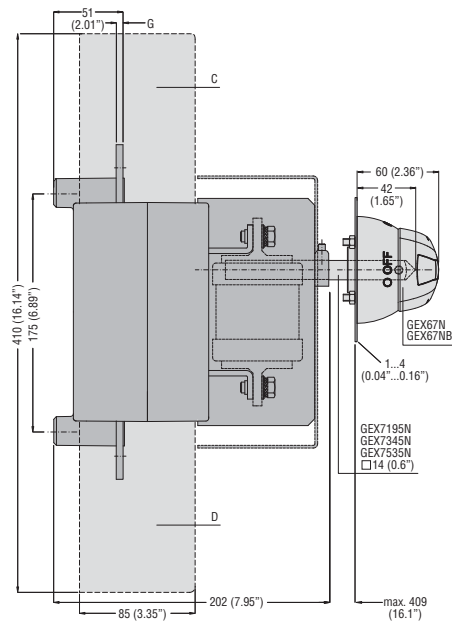
**GE0315 BT4 - GE0400 BT4**  
with terminal covers and auxiliary contact



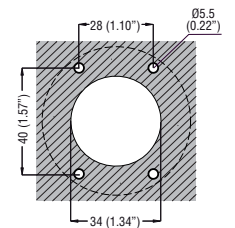
For GE0315 B - GE0400 B - GE0315 BT4 - GE0400 BT4  
Direct operating version with handle GEX63D



Door coupling version with handle GEX67N - GEX67NB  
and terminal covers

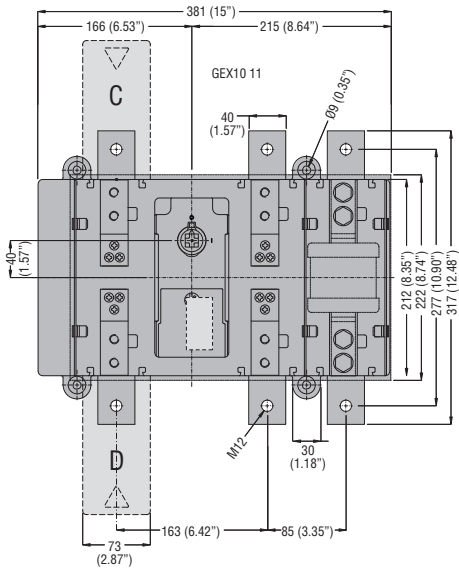


Drilling

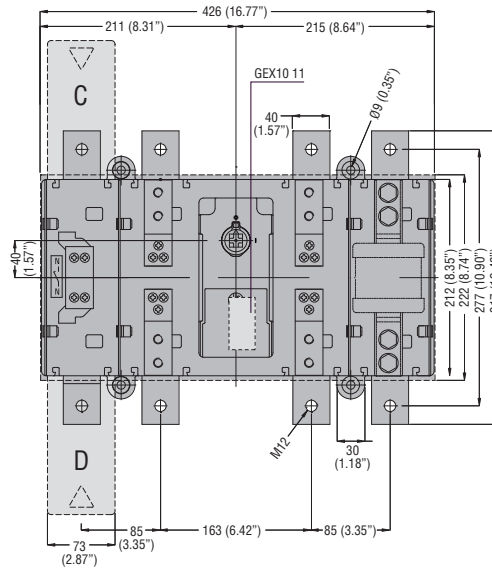


TYPE	A	B	C (line) (N° of pcs/set)	D (load) (N° of pcs/set)	E	F	G
GE0315 B	274 (10.79")	111 (4.37")	GEX82 21 (3)	GEX82 22 (3)	212 (8.35")	242 (9.53")	4 (0.16")
GE0315 BT4	329 (12.95")	166 (6.53")	GEX82 23 (4)	GEX82 23 (4)	212 (8.35")	242 (9.53")	4 (0.16")
GE0400 B	274 (10.79")	111 (4.37")	GEX82 21 (3)	GEX82 22 (3)	216 (8.50")	246 (9.68")	5 (0.20")
GE0400 BT4	329 (12.95")	166 (6.53")	GEX82 23 (4)	GEX82 23 (4)	216 (8.50")	246 (9.68")	5 (0.20")

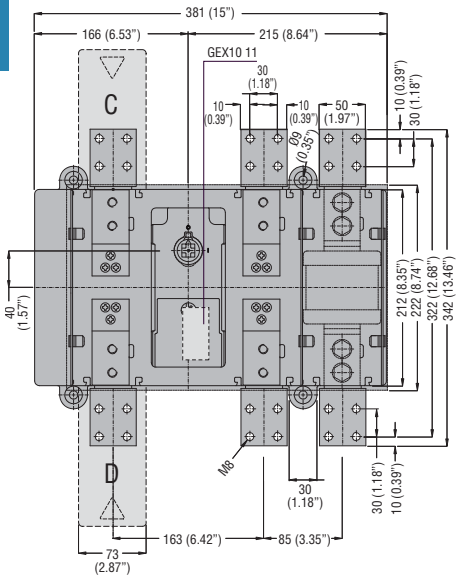
**GE0630 B**  
with terminal covers and auxiliary contact



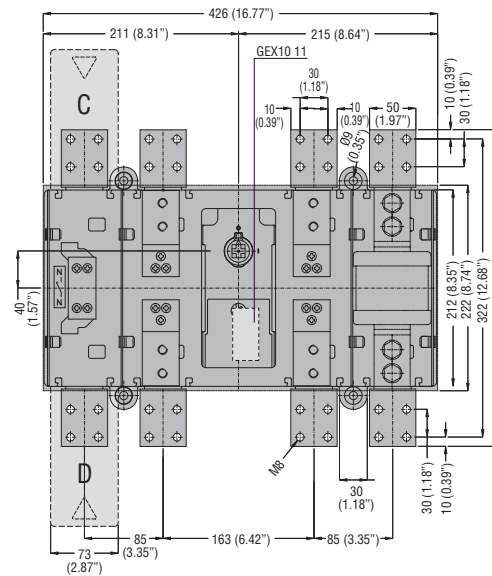
**GE0630 BT4**  
with terminal covers and auxiliary contact



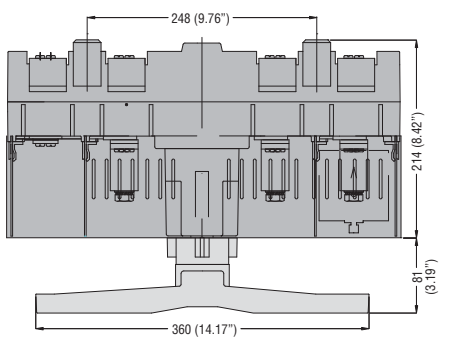
**GE0800 B**  
with terminal covers and auxiliary contact



**GE0800 BT4**  
with terminal covers and auxiliary contact

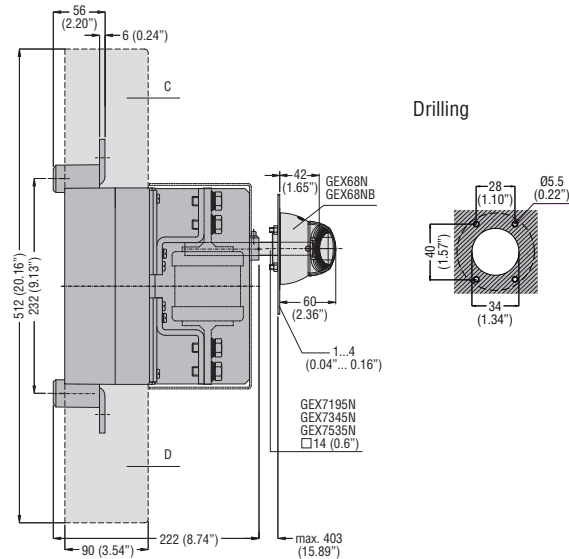


For GE0630 B - GE0630 BT4 - GE0800 B - GE0800 BT4  
Direct operating version with handle GEX64D

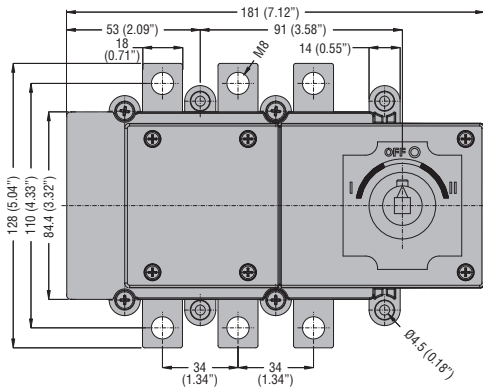


TYPE	C (line) (N° of pcs/set)	D (load) (N° of pcs/set)
GE0630 B - GE0800 B	GEX82 31 (3)	GEX82 32 (3)
GE0630 BT4 - GE0800 BT4	GEX82 33 (4)	GEX82 33 (4)

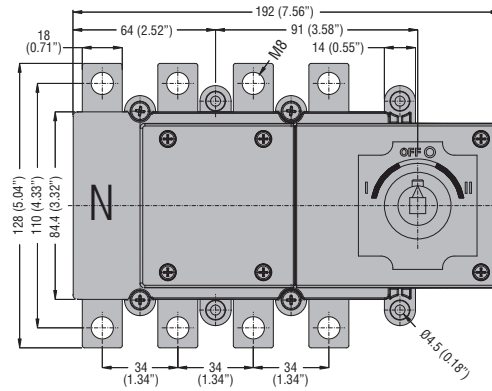
Door coupling handle GEX68N - GEX68NB  
and terminal covers



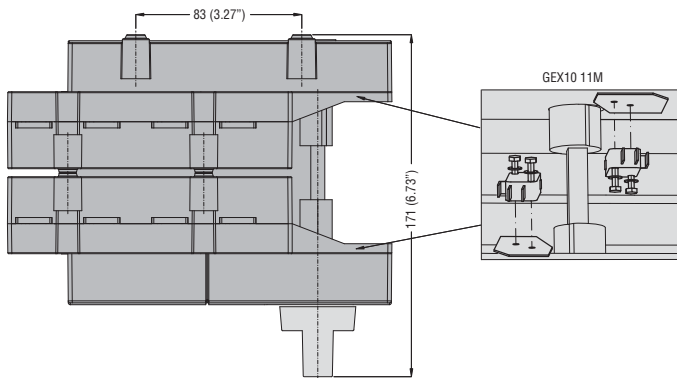
### GE SERIES - 160A TO 1600A CHANGEOVER SWITCHES GE0160 E



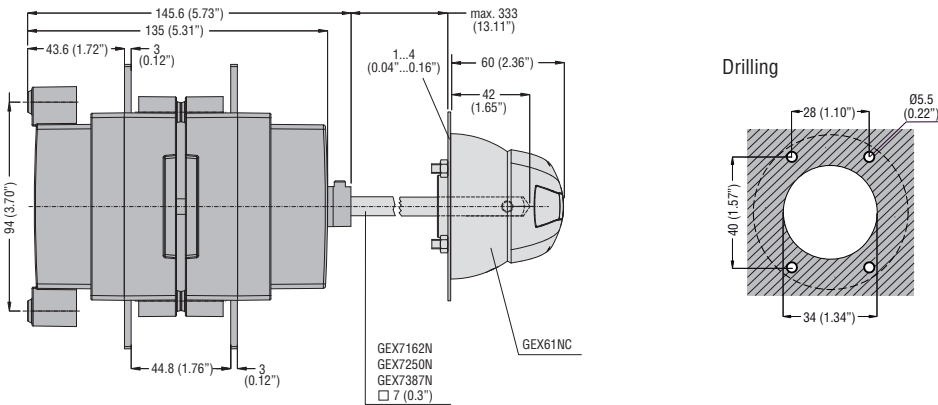
### GE0160 ET4



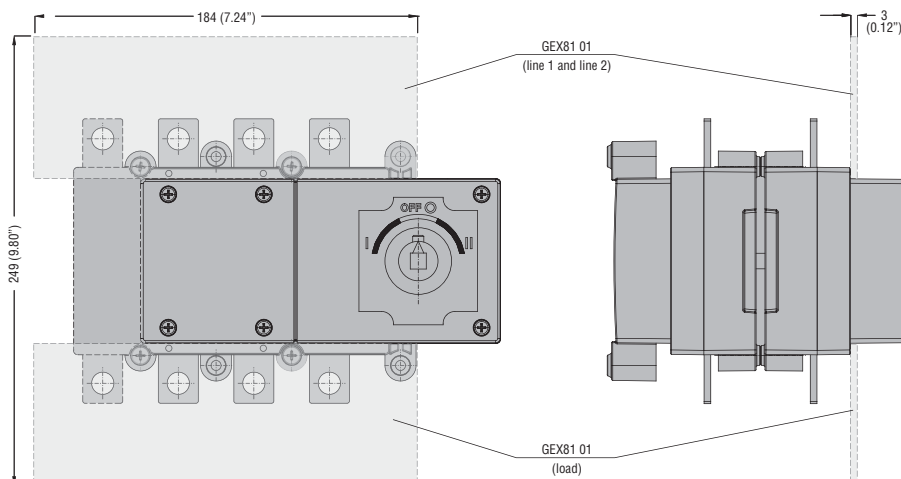
Direct operating version with handle GEX61E and auxiliary contacts



Door coupling version with handle GEX61NC

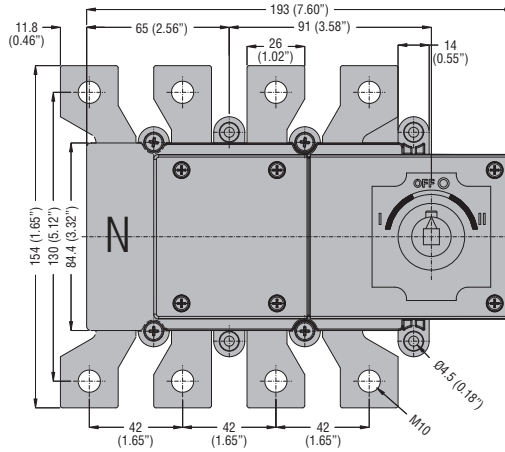
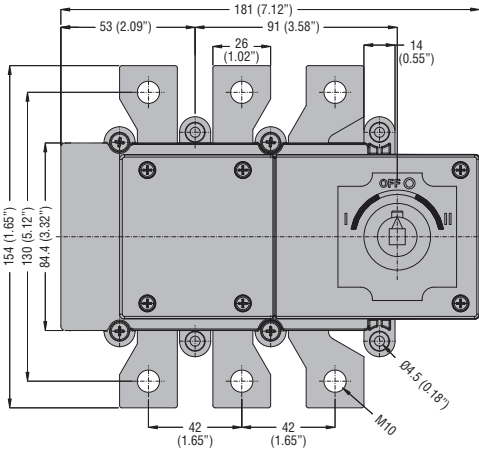


Terminal covers

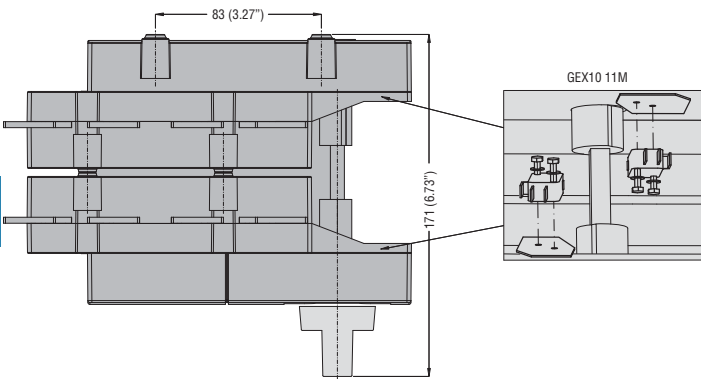


### GE0200 E

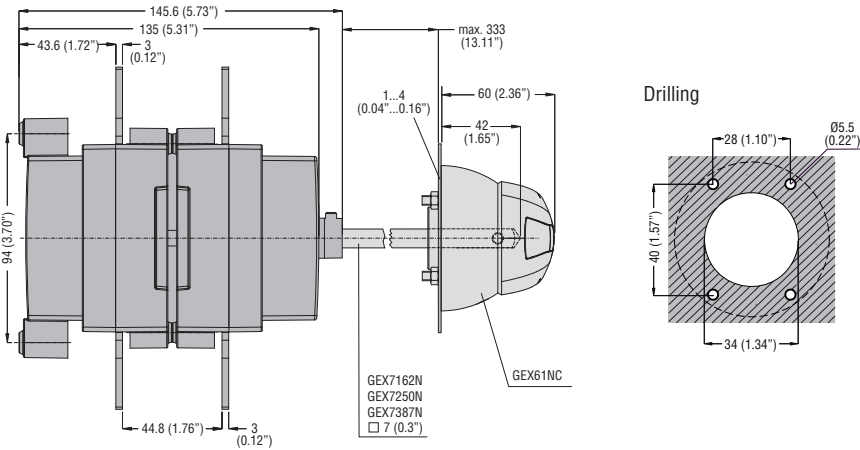
### GE0200 ET4



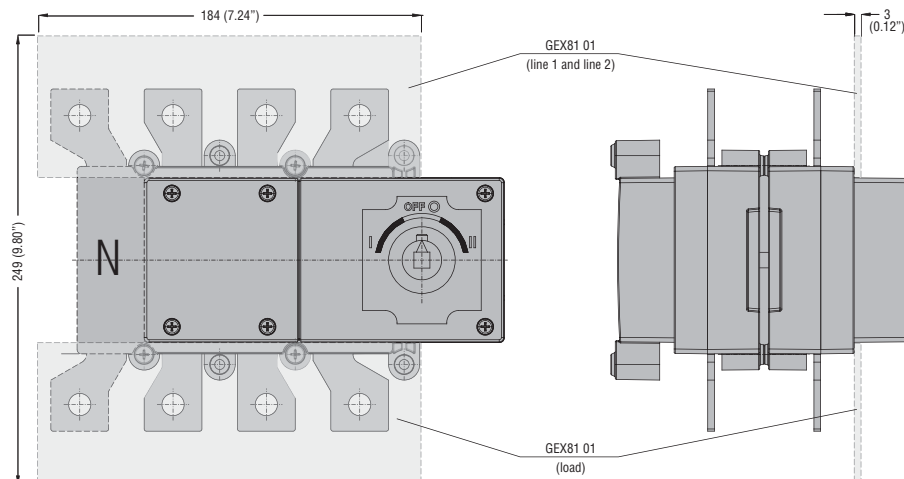
Direct operating version with handle GEX61E and auxiliary contacts



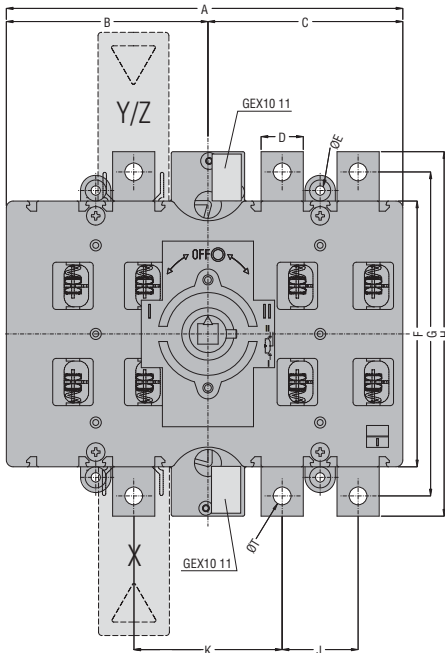
Door coupling version with handle GEX61NC



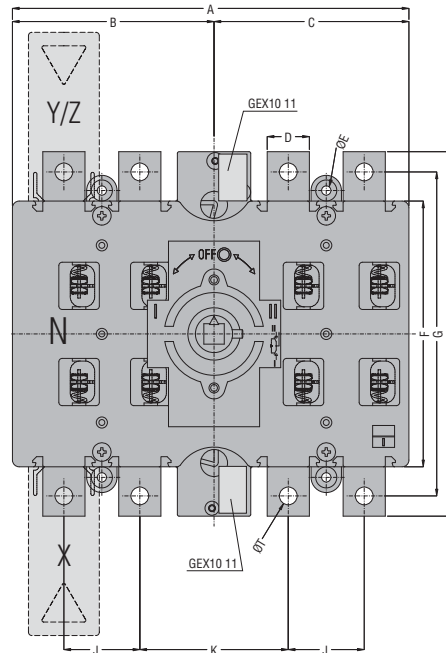
Terminal covers



**GE0201 E - GE0250 E - GE0315 E - GE0400 E -  
GE0500 E - GE0630 E - GE0800 E**  
with terminal covers and auxiliary contacts

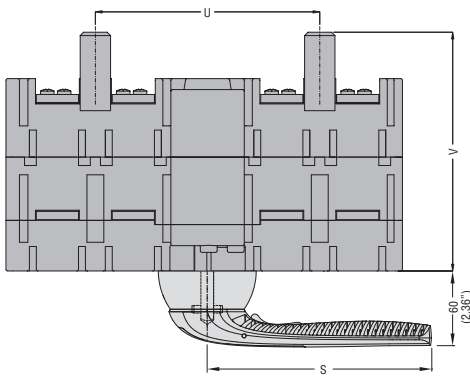


**GE0201 ET4 - GE0250 ET4 - GE0315 ET4 - GE0400 ET4 -  
GE0500 ET4 - GE0630 ET4 - GE0800 ET4**  
with terminal covers and auxiliary contacts

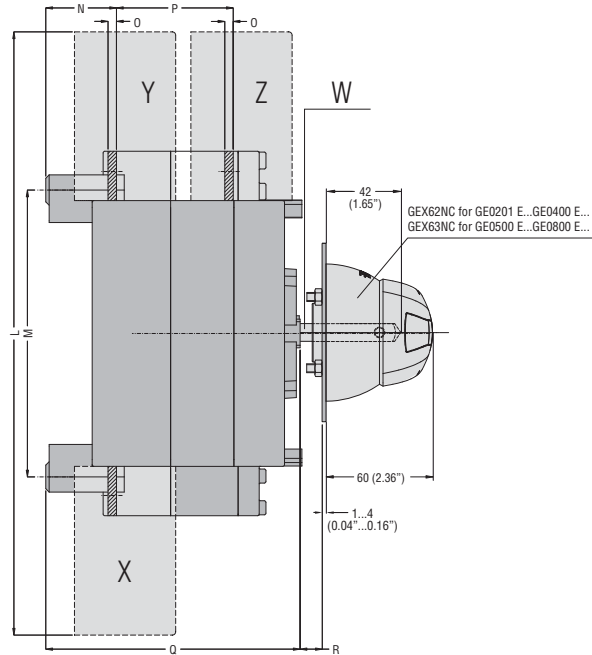


For GE0201 E - GE0250 E - GE0315 E - GE0400 E - GE0201 ET4 - GE0250 ET4 - GE0315 ET4 - GE0400 ET4  
GE0500 E - GE0630 E - GE0800 E - GE0500 ET4 - GE0630 ET4 - GE0800 ET4

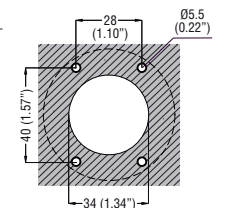
Direct operating version with handle



Door coupling version with handle



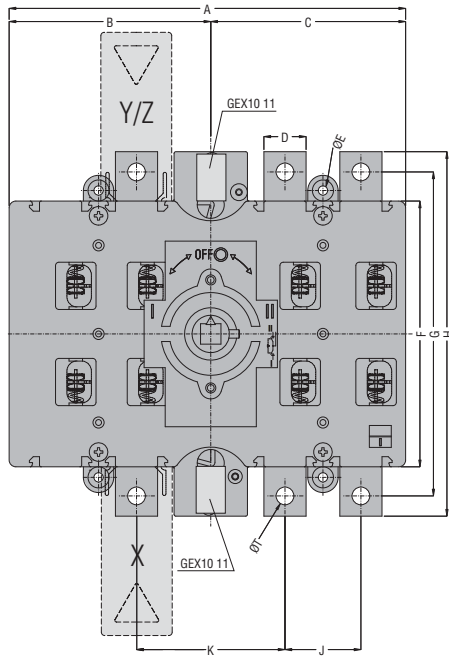
Drilling



TYPE	A	B	C	D	ØE	F	G	H	J	K	L	M	N	O	P	Q	R Max	S	ØT	U	V	Shaft extension W	Terminal covers (N° of pcs/set)		
																							X (line 1)	Y (line 2)	Z (load)
GE0201 E GE0250 E GE0315 E GE0400 E	235 (9.25)	119.5 (4.70)	115.5 (4.55)	25 (0.98)	5.5 (0.22)	157 (6.18)	192 (7.56)	216 (8.50)	45 (1.77)	88 (3.46)	357 (14.05)	170 (6.69)	42 (1.65)	3 (0.12)	67 (2.64)	151 (5.94)	437 (17.2)	143 (5.63)	M10	133 (5.24)	142 (5.59)	GEX7227N GEX7375N GEX7536N □ 10 (0.6")	GEX82 12 (3)	GEX82 11 (3)	GEX83 12 (3)
GE0201 ET4 GE0250 ET4 GE0315 ET4 GE0400 ET4																							GEX82 13 (4)	GEX82 13 (4)	GEX83 12 (4)
GE0500 E GE0630 E GE0800 E	321 (12.63)	162 (6.38)	159 (6.26)	40 (1.57)	7 (0.27)	232 (9.13)	282 (11.10)	312 (12.28)	65 (2.56)	121 (4.73)	482 (18.98)	247 (9.72)	46 (1.81)	5 (0.20)	87 (3.42)	180 (7.09)	417 (16.42)	176 (6.93)	M12	186 (7.32)	171 (6.73)	GEX7195N GEX7345N GEX7535N □ 10 (0.6")	GEX82 22 (3)	GEX82 21 (3)	GEX83 21 (3)
GE0500 ET4 GE0630 ET4 GE0800 ET4																							GEX82 23 (4)	GEX82 23 (4)	GEX83 22 (4)

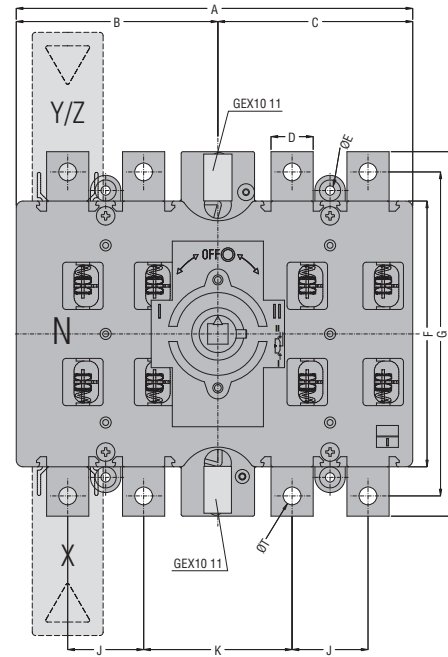
### GE1000 E - GE1250 E

with terminal covers and auxiliary contacts

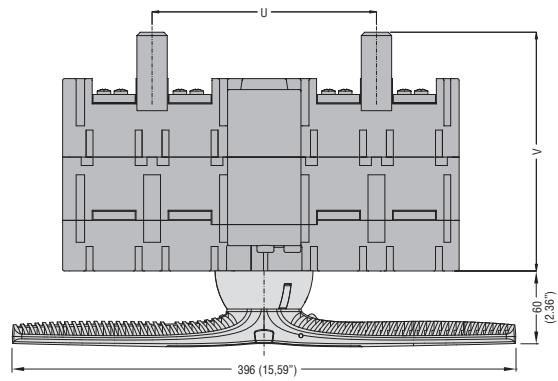


### GE1000 ET4 - GE1250 ET4

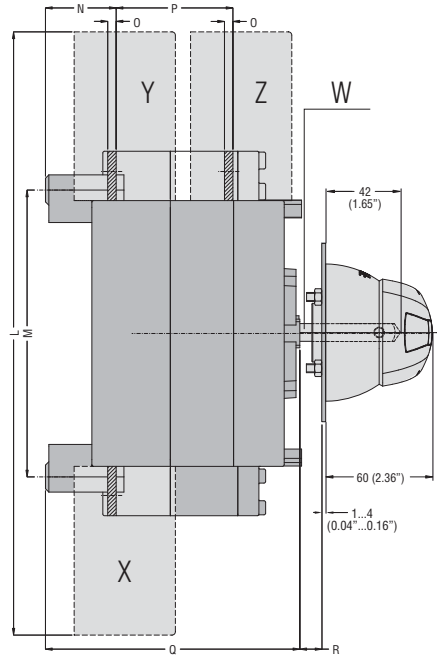
with terminal covers and auxiliary contacts



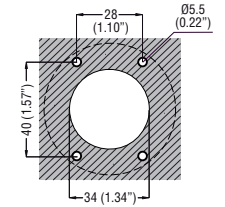
For GE1000 E - GE1250 E - GE1000 ET4 - GE1250 ET4  
Direct operating version with handle GEX64NE



Direct operating version with handle GEX64NC

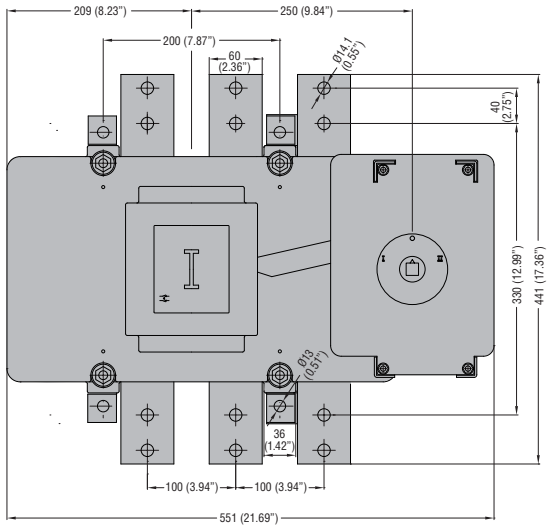


Drilling

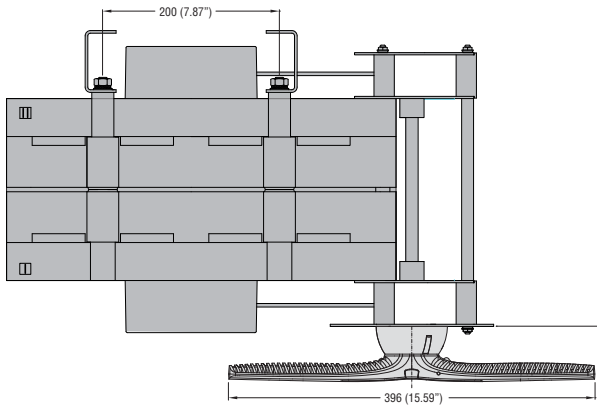


TYPE	A	B	C	D	ØE	F	G	H	J	K	L	M	N	O	P	Q	R Max	T	ØT	U	V	Terminal covers (N° of pcs/set)			
																						Shaft extension W	X (line 1)	Y (line 2)	Z (load)
GE1000 E																						GEX7195N	GEX82 32 (3)	GEX82 31 (3)	GEX83 31 (3)
GE1250 E	424 (12.68)	210 (2.68)	214 (8.43)	50 (1.97)	9 (0.35)	295 (11.61)	375 (14.63)	419 (16.5)	85 (3.35)	163 (6.42)	595 (23.43)	315 (12.4)	57 (2.24)	6 (0.24)	88 (3.46)	208 (8.19)	412 (16.22)	360 (14.17)	M14	248 (9.76)	199 (7.83)	GEX7345N	GEX82 33 (4)	GEX82 33 (4)	GEX83 32 (4)
GE1000 ET4																						GEX7535N			
GE1250 ET4																						□ 14 (0.6")			

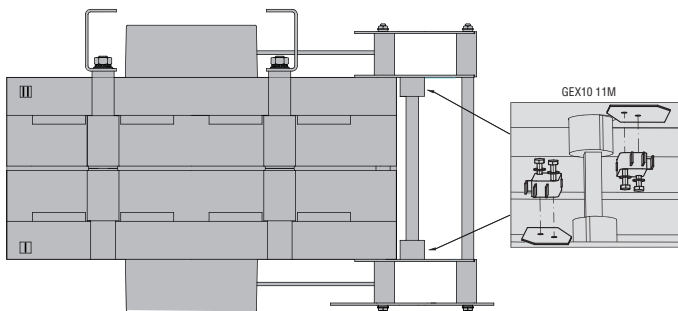
### GE1600 E



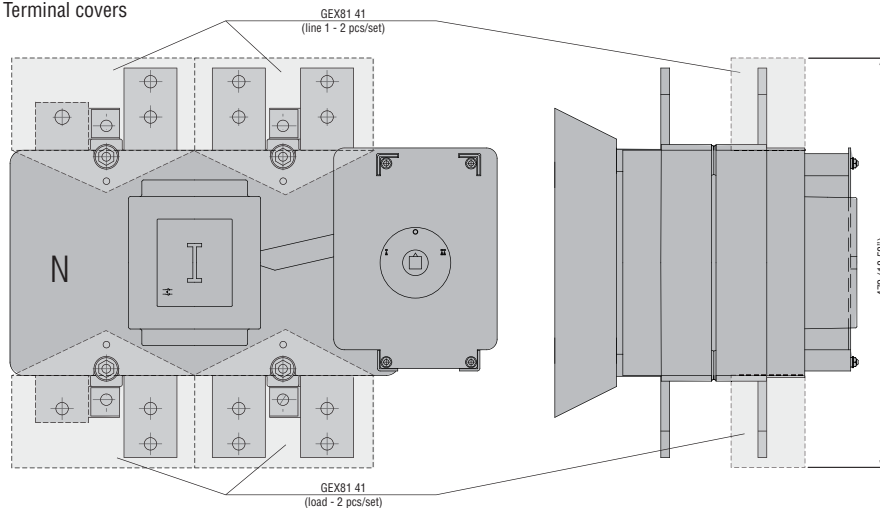
Direct operating version with handle GEX64NE



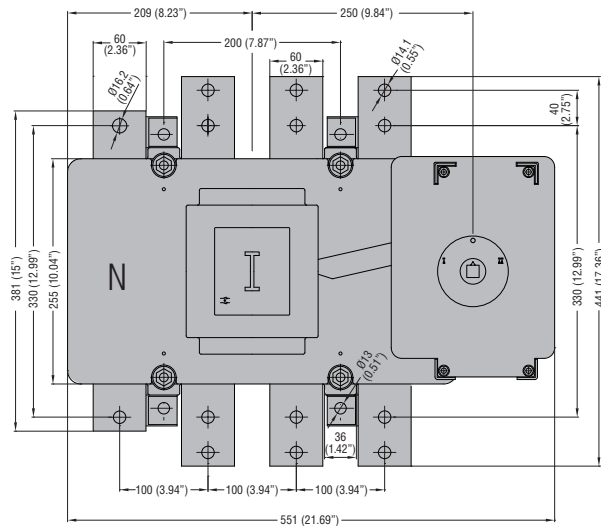
Auxiliary contacts



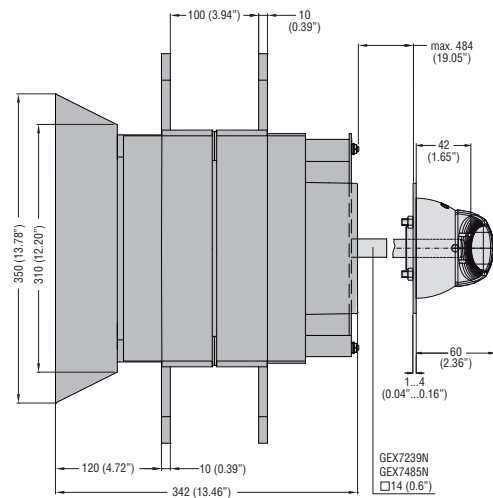
Terminal covers



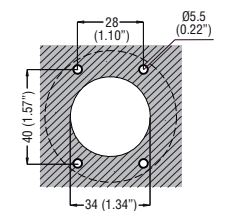
### GE1600 ET4



Door coupling version with handle GEX64NC



Drilling



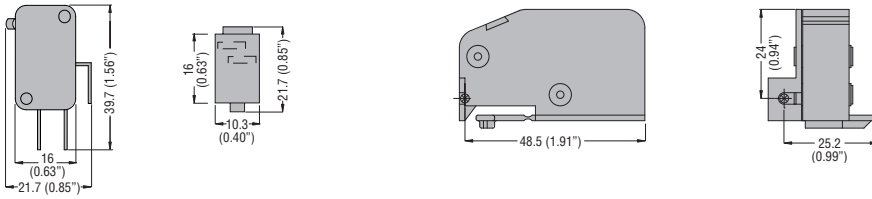


### GE SERIES - ADD-ON BLOCKS AND ACCESSORIES

Auxiliary contacts

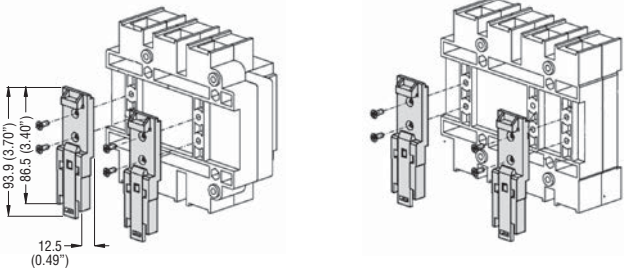
**GEX10 11 - GEX10 11M**

**GEX10 11N**



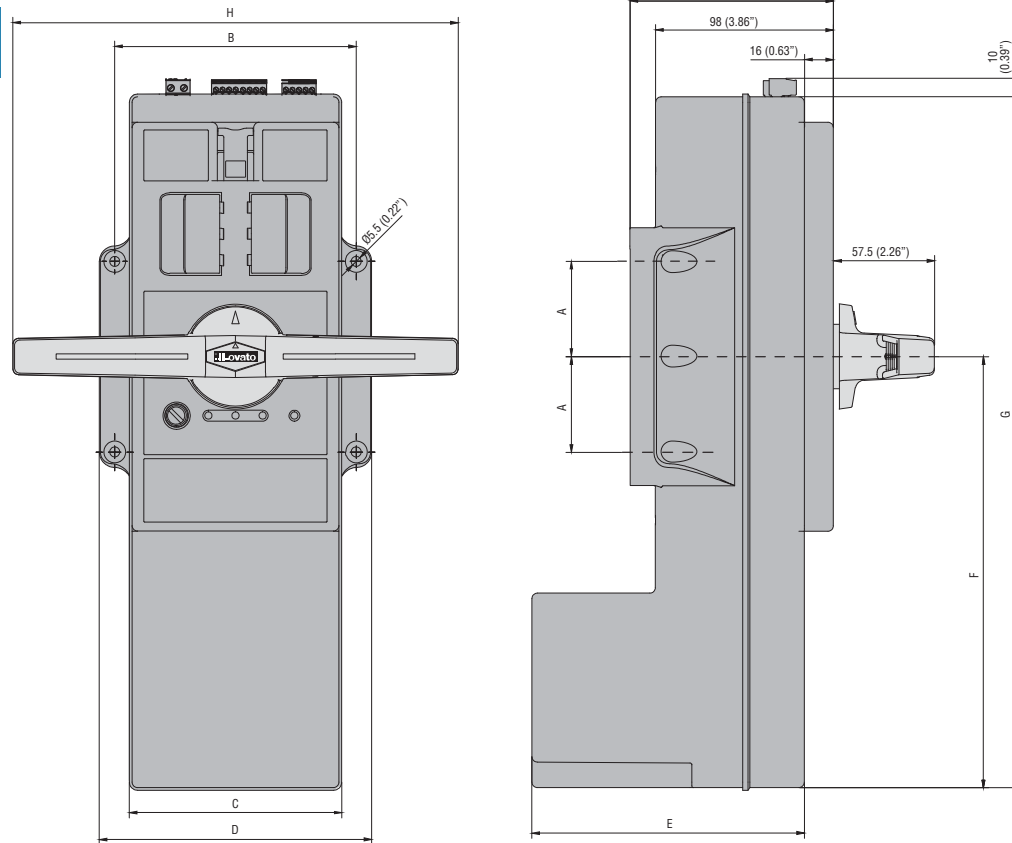
35mm DIN rail adapter kit **GEX89 00**  
For GE0160 P

For GE0160 T4P - GE0160 DT4P



Motorised control unit  
**GEX69 1 - GEX69 2 - GEX69 3**

11

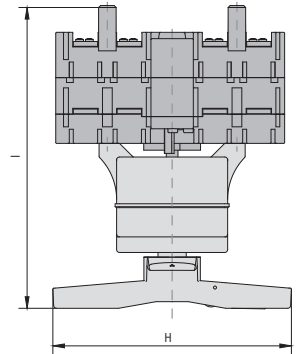
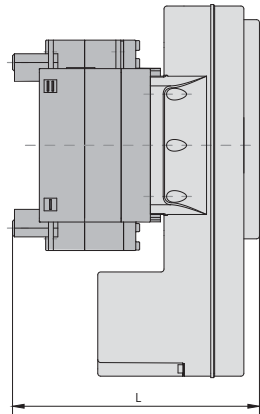
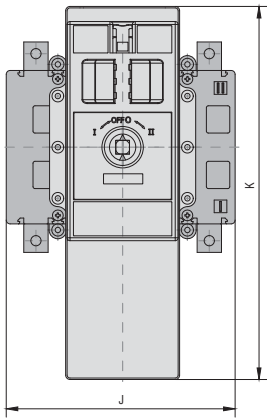


Type	A	B	C	D	E	F	G	H
GEX69 1	52.5 (2.07")	133 (5.24")	117 (4.61")	150 (5.90")	150 (5.90")	237 (9.33")	380 (14.96")	245 (9.64")
GEX69 2	88.5 (3.48")	167 (6.57")	153 (6.02")	184 (7.24")	172 (6.77")	312 (12.28")	455 (17.91")	360 (14.17")
GEX69 3	88.5 (3.48")	167 (6.57")	153 (6.02")	184 (7.24")	172 (6.77")	312 (12.28")	455 (17.91")	360 (14.17")

# Switch disconnectors

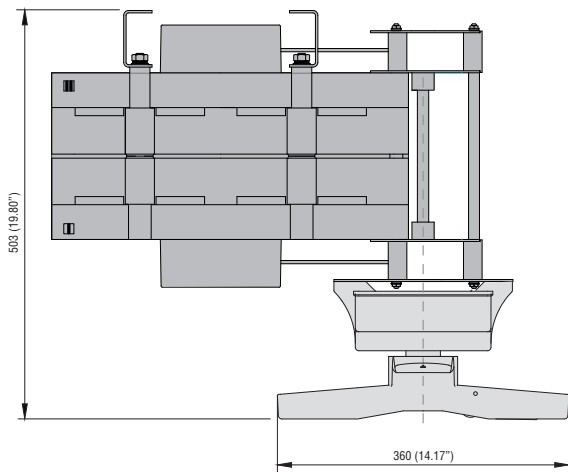
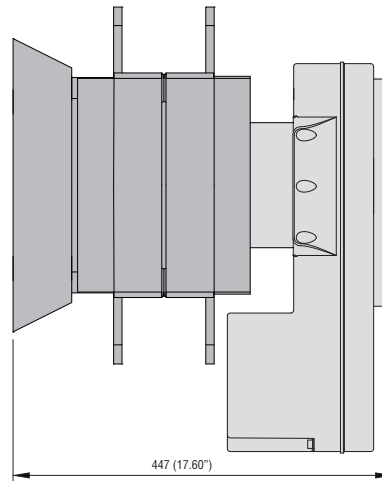
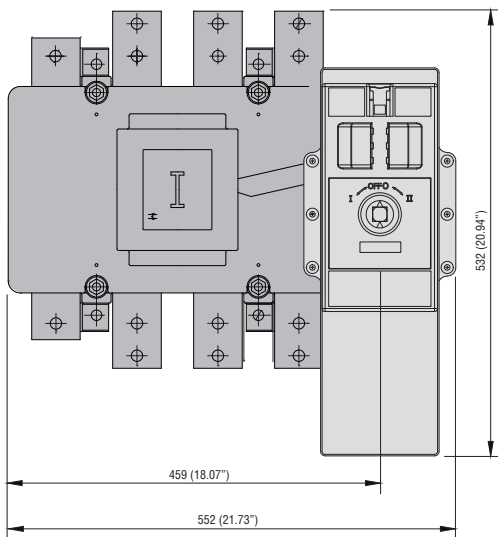
## Dimensions [mm (in)]

GEX69 1 for GE0201 E - GE0201 ET4 - GE0250 E - GE0250 ET4 - GE0315 E - GE0315 ET4 - GE0400 E - GE0400 ET4  
 GEX69 2 for GE0500 E - GE0500 ET4 - GE0630 E - GE0630 ET4 - GE0800 E - GE0800 ET4  
 GEX69 3 for GE1000 E - GE1000 ET4 - GE1250 E - GE1250 ET4



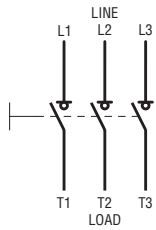
Type	H	I	J	K	L
GEX69 1	245 (9.64")	310 (12.20")	235 (9.25")	383 (15.08")	254 (10")
GEX69 2	360 (14.17")	339 (13.35")	321 (12.64")	468 (18.42")	283 (11.14")
GEX69 3	360 (14.17")	367 (14.45")	424 (16.69")	522 (20.55")	311 (12.24")

GEX69 3 mounted on GE1600 E - GE1600 ET4

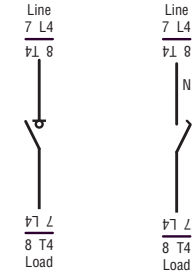


### GA SERIES - 16A TO 125A SWITCH DISCONNECTORS

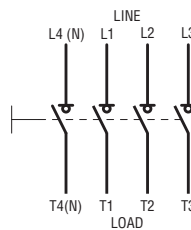
Three-pole disconnectors  
**GA016... - GA125A/C**  
**GAZ016... - GAZ125/B**  
**GAZ016UL... - GAZ125UL**



Fourth pole add on  
**GAX42...**      **GAX41...**

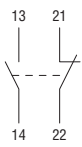


Four-pole disconnectors  
**GAZ160 T4... - GAZ125 T4**  
**GAZ016 T4UL... - GAZ125 T4UL**



### ADD-ON BLOCKS AND ACCESSORIES

Auxiliary contacts  
**GAX10...**



**GAX11... - GAX12...**



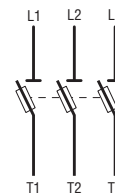
Neutral terminal  
**GAX31... - GAX32...**



Earth terminal  
**GAX33... - GAX34...**

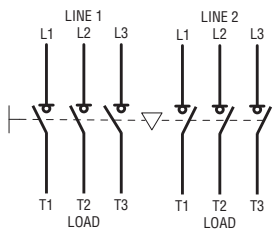


Fuse holder  
**GAX39 1**

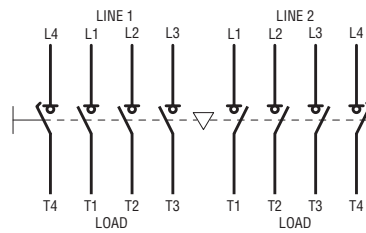


### ENCLOSED CHANGEOVER SWITCHES

Three-pole **GAZ...ET6**

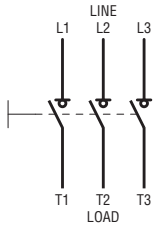


Four-pole **GAZ...ET8**

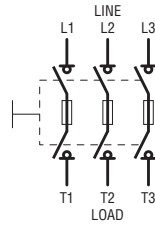


### GE SERIES - 50A TO 1600A SWITCH DISCONNECTORS

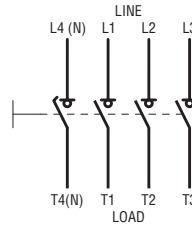
Three-pole disconnectors  
**GE0160 E - GE1600**  
**GE0160 P**



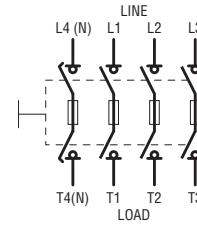
Three-pole disconnectors with fuse holders  
**GE0050 F - GE0125 F**  
**GE0160 N - GE0800 N**  
**GE0160 B - GE0800 B**



Four-pole disconnectors  
**GE0160 T4 - GE1600 T4**  
**GE0160 T4P**

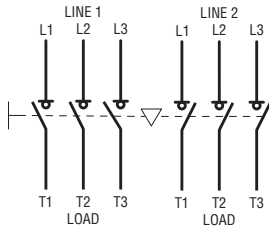


Four-pole disconnectors with fuse holders  
**GE0050 FT4 - GE0125 FT4**  
**GE0160 NT4 - GE0800 NT4**  
**GE0160 BT4 - GE0800 BT4**

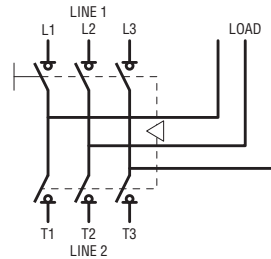


### 160A TO 1600A CHANGEOVER SWITCHES

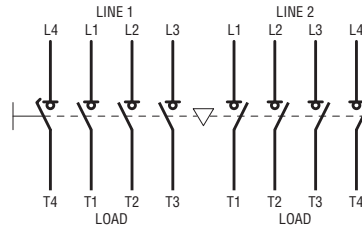
Three-pole switches  
**GE0201 E - GE1600 E**



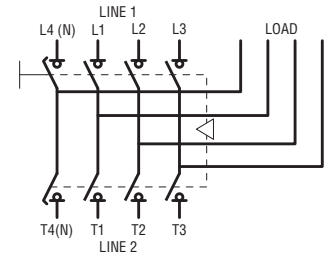
**GE0201 E - GE1600 E**



Four-pole switches  
**GE0160 ET4 - GE0200 ET4**



**GE0201 ET4 - GE1600 ET4**

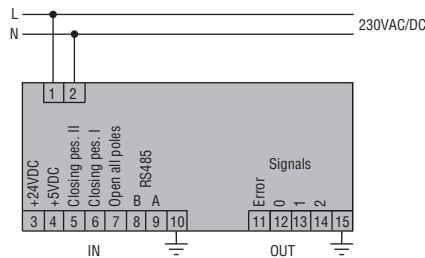


### ADD-ON BLOCKS AND ACCESSORIES

Auxiliary contacts  
**GE010 11 - GEX10 11M - GEX10 11N**



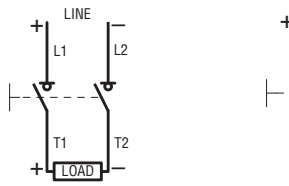
Motorised control unit  
**GEX69 1 - GEX69 2 - GEX69 3**



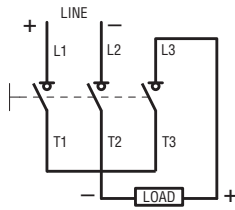
### FOR PHOTOVOLTAIC APPLICATIONS

GA SERIES - with GA...D types

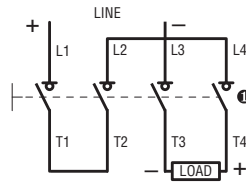
One-line control  
2 poles in series



3 poles in series

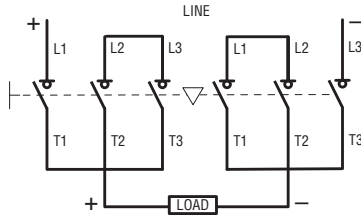


4 poles in series

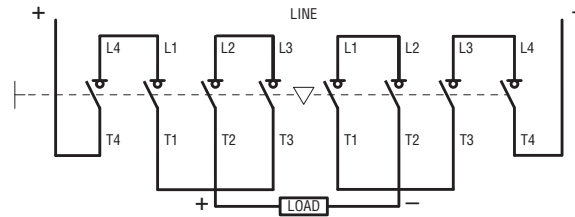


❶ The positive pole of the load is connected to the fourth pole of the switch disconnector on the right. If it is to be connected on the left, wiring needs to change accordingly.

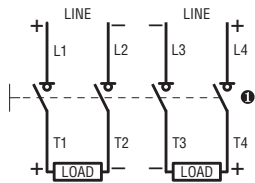
6 poles in series



8 poles in series



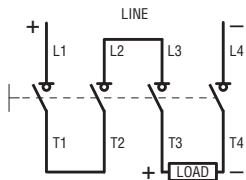
Two-line control  
2+2 poles in series



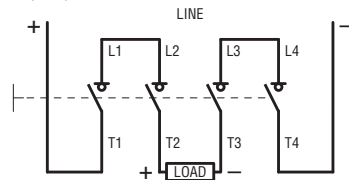
❶ The positive pole of the load is connected to the fourth pole of the switch disconnector on the right. If it is to be connected on the left, wiring needs to change accordingly.

### GE SERIES - with GE...DT4 and GE0160 DT4P types

One-line control  
4 poles in series



4 (2+2) poles in series



# Switch disconnectors

## Technical characteristics

### GA series 16A to 125A

TYPE	3-pole	GA016...	GA025...	GA032...	GA040...	GA063 SA	GA063...	GA080...	GA100...	GA125...		
	4th-pole	GAX42 040...	GAX42 040...	GAX42 040...	GAX42 040...	GAX42 063SA	GAX42 063...	GAX42 080...	GAX42 100...	GAX42 125...		
<b>CONTACT CHARACTERISTICS</b>												
IEC conventional free air thermal current I <sub>th</sub> (≤40°C)	A	16	25	32	40	63	63	80	100	125		
IEC rated insulation voltage U <sub>i</sub>	V	1000										
IEC rated impulse withstand voltage U <sub>imp</sub>	kV	8										
IEC rated operational current I <sub>e</sub>												
AC21A	400V	A	16	25	32	40	63	63	80	100	125	
	500V	A	16	25	32	40	63	63	80	100	125	
	690V	A	16	25	32	40	63	63	80	100	125	
AC22A	400V	A	16	25	32	40	45	63	80	100	125	
	500V	A	16	25	32	40	45	63	80	100	125	
	690V	A	16	25	32	40	45	63	80	100	125	
AC23A	400V	A	16	25	32	40	45	63	80	100	125	
	500V	A	16	25	25	25	25	63	63	80	100	
	690V	A	16	25	25	25	25	47	47	47	47	
IEC rated operational power												
AC23A	400V	kW	7.5	11	15	18.5	22	30	45	55	55	
	690V	kW	11	22	22	22	22	45	45	45	45	
IEC reactive power for capacitor control 400V	kvar	7.5	10	12.5	15	15	25	30	40	50		
IEC protection against short-circuit												
Rated short-time withstand current (1s) I <sub>cw</sub>	A rms	800					2500					
Rated conditional short-circuit current	kA rms	50										
With fuse class gG	A	16	25	32	40	63	63	80	100	125		
IEC making capacity (AC23A 400V)	A	400				450	1250					
IEC breaking capacity (AC23A 400V)	A	320				360	1000					
Mechanical life	cycles	100,000				100,000	30,000					
Electrical life (IEC AC21A)	cycles	100,000				15,000	30,000					
UL/CSA general use at 600V	A	16	25	32	40	50	60	100	100	100		
UL/CSA short-circuit rating at 600V	kA	5	5	5	5	5	10	10	10	10		
UL/CSA fuse class/max rating at 600V	Type/A	RK5/20	RK5/30	RK5/35	RK5/45	RK5/45	-/100	-/100	-/100	-/100		
UL/CSA HP ratings	120V	HP	1	1½	2	2	3	3	3	5	7½	
	Single phase	240V	HP	2	3	5	5	7½	7½	10	10	10
		Three phase	200-208V	HP	5	7½	10	10	10	20	25	30
	240V		HP	5	7½	10	15	15	20	30	30	30
	480V		HP	10	15	20	20	30	40	40	50	50
	600V		HP	10	20	20	25	30	40	40	60	40
Terminals	Type	Lug clamp										
	A mm	5.6 (0.22")					12.4 (0.49")					
	B mm	6.5 (0.26")					10.4 (0.41")					
	Screw	M4					M8					
	Tool	Phillips 2					Metric Allen key 4					
Tightening torque min...max	Nm	1.8...2					5...6					
	lbin	16...18					45...54					
Conductor section min...max (flexible/stranded)	mm <sup>2</sup>	0.75...16					4...50					
	AWG	18...6					12...1					
<b>AMBIENT CONDITIONS</b>												
Temperature	Operating	°C	-25...+55									
	Storage	°C	-40...+70									
Maximum altitude	m	3000										
Mounting position	Normal	Vertical										
	Admissible	Any										
Fixing	By screw or on 35mm DIN rail (IEC/EN 60715)											

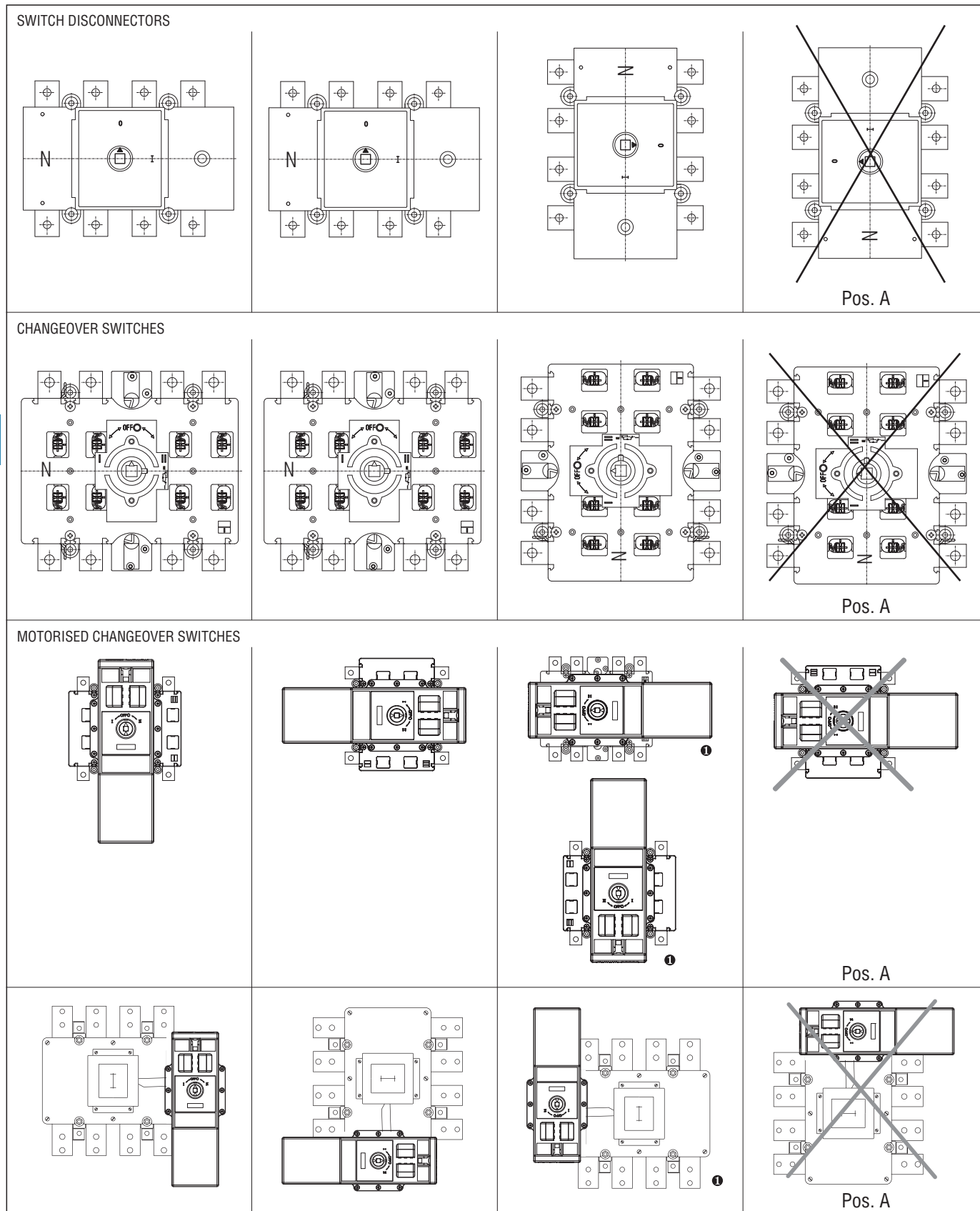
IEC/EN 60947-1 designation: Pillar terminal.

#### MOUNTING POSITION

The performances, given in this catalogue, have been established with GE series switch disconnectors mounted on a vertical place with line terminals facing upwards and load terminals facing downwards.

All GE series switch disconnectors can be mounted as illustrated in the following figures without any derating except for position A.

It is not recommended to mount switch disconnectors with the neutral pole facing downwards.



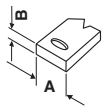
❶ Special assembly, consult Customer Service for details; contact details on inside front cover.

# Switch disconnectors

## Technical characteristics

### GE series 160A to 1600A - Three and four switch disconnectors

TYPE	3-pole		GE0160P GE0160	GE0200	GE0250	GE0251	GE0315	GE0400	GE0500	GE0630	GE0800	GE1000	GE1250	GE1600
	4-pole Ⓢ		GE0160 T4P GE0160 T4	GE0200 T4	GE0250 T4	GE0251 T4	GE0315 T4	GE0400 T4	GE0500 T4	GE0630 T4	GE0800 T4	GE1000 T4	GE1250 T4	GE1600 T4
<b>CONTACT CHARACTERISTICS</b>														
IEC conventional free air current Ith (≤40°C)	A	160	200	250	250	315	400	500	630	800	1000	1250	1600	
IEC rated insulation voltage Ui	V	1000												
IEC rated impulse withstand voltage Uimp	kV	8						12						
IEC rated operational current Ie														
AC21A	400V	A	160	200	200	250	315	400	500	630	800	1000	1250	1600
	500V	A	160	200	200	250	315	400	500	630	800	1000	1250	1600
	690V	A	160	180	180	200	250	250	500	630	800	1000	1000	1600
AC22A	400V	A	160	200	200	250	315	400	500	630	800	1000	1250	1600
	500V	A	160	200	200	250	315	400	500	630	800	1000	1000	1250
	690V	A	125	160	160	160	200	200	400	500	500	630	630	1000
AC23A	400V	A	160	160	160	250	315	400	500	630	800	800	800	1000
	500V	A	125	125	125	200	250	315	400	500	500	800	800	900
	690V	A	80	80	80	160	160	160	250	315	315	500	500	630
IEC reactive power for capacitor control 400V sine φ = 0.65	kvar	72	72	72	112	142	180	225	284	284	360	360	450	
IEC rated operational power														
AC23A	400V	kW	90	90	90	138	174	220	220	349	443	443	443	554
	690V	kW	75	75	75	153	153	153	239	300	300	478	478	600
Protection against short-circuit														
IEC rated short-time withstand current (1s) Icw	kA rms	7			12			16			25		35	
IEC rated conditional short-circuit current Ⓣ	kA rms	100										72	72	
With fuse class gG	A	160	200	250			315	400	500	630	800	1000	1250	2x800
IEC making capacity (AC23A 400V)	A	1600			2500	3150	4000	5000	6300			8000	10000	
IEC breaking capacity (AC23A 400V)	A	1280			2000	2520	3200	4000	5000			6400	8000	
Mechanical life	cycles	30,000			20,000			10,000						
Electrical life (AC23A 400V)	cycles	1,000									500			
Terminals	Type	Terminal for lugs Ⓣ or bars												
	A mm	18	26			25			25	30			40	60
	B mm	3			4			5			8	10		
	Screw	M8	M10			M10			M14			M14		
Tightening torque	Nm	13 Ⓣ			18			24			45	55		
	lbft	10 Ⓣ			13			18			33	40		
Maximum conductor section	mm <sup>2</sup>	95	120			185			240	2x185	2x240		2x300	—
Maximum bar size (thickness-width)	mm	5-25 Ⓣ		5-30			7-25			6-40	2x 5-40		2x 10-50	2x 7-80
<b>AMBIENT CONDITIONS</b>														
Temperature	Operating	°C	-25...+55											
	Storage	°C	-40...+70											
Maximum altitude	m	3000												
Mounting position	Normal		Vertical											
	Admissible		Any											
Fixing		Screw												



- Ⓣ With protection fuse to limit current peak and let-through energy.
- Ⓢ Not suitable with GE0160 P and GE0160 T4P.
- Ⓣ GE...P types have IP20 lug clamp/pillar terminals.
- Ⓣ 4Nm/3lbft only GE...P types.
- Ⓢ The four-pole type (3P+N) has early-make late-break neutral pole.



# Switch disconnectors

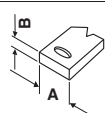
## Technical characteristics

### GE series 50A to 800A - Three and four switch disconnectors with fuse holder

TYPE	NFC	3-pole	GE0050 F	GE0125 F	-	-	-	-	-	-	-	-
		4-pole <sup>Ⓞ</sup>	GE0050 FT4	GE0125 FT4	-	-	-	-	-	-	-	-
BS		3-pole	-	-	GE0160 B	-	GE0200 B	GE0250 B	GE0315 B	GE0400 B	GE0630 B	GE0800 B
		4-pole <sup>Ⓞ</sup>	-	-	GE0160 BT4	-	GE0200 BT4	GE0250 BT4	GE0315 BT4	GE0400 BT4	GE0630 BT4	GE0800 BT4
NH		3-pole	-	-	GE0160 N	GE0161 N	-	GE0250 N	-	GE0400 N	GE0630 N	GE0800 N
		4-pole <sup>Ⓞ</sup>	-	-	GE0160 NT4	GE0161 NT4	-	GE0250 NT4	-	GE0400 NT4	GE0630 NT4	GE0800 NT4

#### CONTACT CHARACTERISTICS

IEC conventional free air thermal current I <sub>th</sub> (≤40°C)	A	50	125	160	160	200	250	315	400	630	800	
IEC rated insulation voltage U <sub>i</sub>	V	800	800	800				1000				
IEC rated impulse withstand voltage U <sub>imp</sub>	kV	8	8	8				12				
IEC rated operational current I <sub>e</sub>												
AC21A	400V	A	50	125	160	160	200	250	315	400	630	800
	500V	A	50	125	160	160	200	250	315	400	630	800
	690V	A	50	125	160	160	200	250	315	400	630	630
AC22A	400V	A	50	125	160	160	200	250	315	400	630	800
	500V	A	50	125	160	160	200	250	315	400	630	800
	690V	A	50	100	125	160	200	250	315	400	630	630
AC23A	400V	A	50	125	160	160	200	250	315	400	630	630
	500V	A	50	125	125	160	200	250	315	400	630	630
	690V	A	50	80	100	125	160	200	250	315	400	400
IEC reactive power 400V for capacitor control	kvar	18	52	60	60	75	115	150	200	250	325	
IEC rated operational power AC23A	400V	kW	25	65	90	90	110	132	185	220	355	355
	690V	kW	42	80	90	110	160	250	315	400	630	800
Protection against short-circuit												
Let-through energy I <sup>2</sup> t	kJ	0.076	0.19	0.19	0.478	0.478	1.6	1.6	1.6	4.6	4.6	
IEC rated conditional short-circuit current	kA rms	50	50	100 <sup>Ⓛ</sup>	100	100	100	100	100	100	100	
IEC making capacity (AC23A 400V)	A	500	1250	1600		2000	2500	3150	4000	6300		
IEC breaking capacity (AC23A 400V)	A	400	1000	1280		1600	2000	2600	3200	5100		
Mechanical life	cycles	10,000	10,000	10,000				5,000				
Electrical life (AC23A 400V)	cycles	1,500	1,500	1,000				1,000				
Terminals	Type	<sup>Ⓜ</sup>	<sup>Ⓜ</sup>	Terminal for lugs or bars								
	A mm	-	-	20	25		30		35	40	50	
	B mm	-	-	3			4		5	6		
	Screw	M6	M6	M8		M10			M12	4x M8		
Tightening torque	Nm	3	4	13			24		45	13		
	lbft	2.2	3	10			18		33	10		
Maximum conductor section	mm <sup>2</sup>	35	95	95	120		240		2x185	2x240		
Maximum bar size (thickness-width)	mm	-	3-25	3-25	5-25		6-40		2x 7-50	2x 7-50		



#### AMBIENT CONDITIONS

Temperature	Operating	°C	-25...+55								
	Storage	°C	-40...+70								
Maximum altitude	m	3000									
Mounting position	Normal	Vertical									
	Admissible	Any									
Fixing	Screw										

<sup>Ⓛ</sup> 50kA rms for GE0160 N and GE0160 NT4.

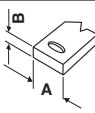
<sup>Ⓜ</sup> GE...F types have IP20 lug clamp/pillar terminals.

<sup>Ⓞ</sup> The four-pole type (3P+N) has early-make late-break neutral pole.

# Switch disconnectors

## Technical characteristics

### GE series 160A to 1600A - Three and four-pole changeover switches

TYPE	3-pole	GE0160 E	GE0200 E	GE0201 E	GE0250 E	GE0315 E	GE0400 E	GE0500 E	GE0630 E	GE0800 E	GE1000 E	GE1250 E	GE1600 E	
	4-pole <sup>②</sup>	GE0160 ET4	GE0200 ET4	GE0201 ET4	GE0250 ET4	GE0315 ET4	GE0400 ET4	GE0500 ET4	GE0630 ET4	GE0800 ET4	GE1000 ET4	GE1250 ET4	GE1600 ET4	
<b>CONTACT CHARACTERISTICS</b>														
IEC conventional free air current Ith (≤40°C)	A	160	200	250	315	400	500	630	800	1000	1250	1600		
IEC rated insulation voltage Ui	V	1000						1000						
IEC rated impulse withstand voltage Uimp	kV	8						12						
IEC rated operational current Ie														
AC21A	400V	A	160	200	200	250	315	400	500	630	800	1000	1250	1600
	500V	A	160	200	200	250	315	400	500	630	800	1000	1250	1600
	690V	A	160	200	200	250	315	400	500	630	800	1000	1250	1600
AC22A	400V	A	160	200	200	250	315	400	500	630	800	1000	1250	1600
	500V	A	160	200	200	250	315	400	500	630	800	1000	1250	1250
	690V	A	125	160	160	200	250	315 <sup>③</sup>	400	500	630 <sup>③</sup>	800	1000 <sup>③</sup>	1000
AC23B	400V	A	160	160	160	180	200	250	400	500	630	1000	1000	1000
	500V	A	125	125	125	150	160	200	250	315	400	800	800	900
	690V	A	80	80	80	100	125	160	200	250	315	630	630	630
IEC reactive power 400V for capacitor control	kvar	72	72	83	104	131	166	208	262	333	415	415	450	
IEC rated operational power AC23A	400V	kW	89	89	100	100	125	125	200	200	315	500	525	550
	690V	kW	76	76	69	86	108	138	173	216	272	544	575	600
Protection against short-circuit	IEC rated short-time withstand current (1s) Icw	kA rms	7	7	8			13			25		35	
	IEC rated conditional short-circuit current <sup>①</sup>	kA rms	100	100						72				
With fuse class gG	A	160	200	250		315	400	500	630	800	1000	1250	2x800	
IEC making capacity (AC23A 400V)	A	1600	1600	3150		4000		6300		8000	10000	10000	10000	
IEC breaking capacity (AC23A 400V)	A	1280	1280	2520		3200		5040		6400	8000	8000	8000	
Mechanical life	cycles	30,000	30,000	10,000				10,000						
Electrical life (AC22A 400V)	cycles	1,000	1,000	1,000				500						
Terminals		Type	Terminal for lugs or bars											
		A mm	18	26	25			35	40			50	60	
		B mm	3	3						5			6	10
		Screw	M8	M10				M12			M14		M14	
Tightening torque	Nm	13	24						45		55			
	lbft	10	18						33		40			
Maximum conductor section	mm <sup>2</sup>	95	120	240				2x240			-	-	-	
Maximum bar size (thickness-width)	mm	4-13	13-18	2x 5-30				2x 6-45			2x 10-60		2x 7-80	
<b>AMBIENT CONDITIONS</b>														
Temperature	Operating	°C	-25...+55											
	Storage	°C	-40...+70											
Maximum altitude	m	3000												
Mounting position	Normal	Vertical												
	Admissible	Any												
Fixing	Screw													

- ① With protection fuse to limit current peak and let-through energy.
- ② The four-pole type (3P+N) has early-make late-break neutral pole.
- ③ Values in IEC DC22B duty.

# Switch disconnectors

## Technical characteristics

### GA series for photovoltaic applications

TYPE	Three-pole	GA040 D	GA080 D	GA125 D
	4th-pole	GAX42 040 D	GAX42 080 D	GAX42 125 D
<b>CONTACT CHARACTERISTICS</b>				
IEC conventional free air thermal current I <sub>th</sub> (≤40°C)	A	40	80	125
IEC rated insulation voltage U <sub>i</sub>	V	1000		
IEC rated impulse withstand voltage U <sub>imp</sub>	kV	8		
IEC rated operational current I <sub>e</sub> DC21B				
2 poles in series	300V A	16	20	25
3 poles in series	48V A	40	80	125
	110V A	35	70	120
	220V A	32	40	95
	500V A	12	15	20
4 poles in series	400V A	35	40	64
	440V A	32	40	64
	500V A	32	40	56
	600V A	20	30	40
	700V A	15	18	20
	750V A	15	18	20
	800V A	15	18	20
	1000V A	—	12	15
6 poles in series <sup>①</sup>	600V A	35	45	50
	700V A	30	35	40
	750V A	25	35	40
	800V A	25	35	40
	1000V A	10	20	25
8 poles in series <sup>②</sup>	700V A	40	60	80
	750V A	35	50	60
	800V A	35	50	60
	1000V A	25	32	40
UL/CSA general use at 600V	A	40	100	100
UL/CSA short-circuit rating at 600V	kA	5	10	10
UL/CSA fuse class / max rating at 600V	Type/A	RK5 / 45	— / 100	— / 100
UL/CSA HP ratings	120V HP	2	3	7½
Single phase	240V HP	5	10	10
Three phase 200-208V <sup>③</sup>	HP	10	25 <sup>④</sup>	25 <sup>④</sup>
	HP	15	30	30
	HP	20	40	50
	HP	25	40	40
	HP	25	40	40
Mechanical life	cycles	100,000	30,000	
Terminals	Type	Lug clamp <sup>④</sup>		
	A mm	5.6 (0.22")	12.4 (0.49")	
	B mm	6.5 (0.26")	10.4 (0.41")	
	Screw	M4	M8	
	Tool	Phillips 2	Metric Allen key 4	
Tightening torque min...max	Nm	1.8...2	5...6	
	lbin	16...18	45...54	
Conductor section min...max (flexible/rigid)	mm²	0.75...16	4...50	
	AWG	18...6	12...1	
<b>AMBIENT CONDITIONS</b>				
Temperature	Operating	°C -25...+55		
	Storage	°C -40...+70		
Maximum altitude	m	3000		
Mounting position	Normal	Vertical		
	Admissible	Any		
Fixing		By screw or on 35mm DIN rail (IEC/EN 60715)		

① Using two pieces of 3-pole switch disconnectors mechanically coupled together by GAX60 00 / GAX60 01.

② Using two pieces of 3-pole switch disconnectors, each with the fourth-pole add-on, mechanically coupled together by GAX60 00 / GAX60 01.

③ Voltage value is not considered in standards UL98/CSA C22.2 n° 4 so not indicated in UL product marking.

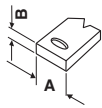
④ IEC/EN 60947-1 designation: Pillar terminal.

# Switch disconnectors

## Technical characteristics

### GE series for photovoltaic applications

TYPE	4-pole	GE0160 DT4P GE0160 DT4	GE0125 DT4	GE0250 DT4	GE0315 DT4	GE0630 DT4	GE0800 DT4	GE1250 DT4	
<b>CONTACT CHARACTERISTICS</b>									
Conventional free air thermal current I <sub>th</sub> (≤40°C)	A	160	125	250	315	630	800	1250	
Rated insulation voltage U <sub>i</sub>	V	1000							
Rated impulse withstand voltage U <sub>imp</sub>	kV	8				12			
Rated operational current I <sub>e</sub> DC21B	48V	A	160	125	250	315	630	800	1250
4 poles in series	110V	A	160	125	250	315	630	800	1250
	220V	A	160	125	250	315	630	800	1250
	400V	A	160	125	250	315	630	800	1250
	440V	A	150	125	250	315	630	750	1250
	500V	A	150	125	250	315	630	700	1250
	600V	A	150	125	250	315	630	700	1250
	750V	A	80	125	250	290	630	650	1050
	800V	A	70	125	250	280	600	630	1000
	850V	A	45	125	240	270	600	630	940
900V	A	40	125	220	260	600	630	870	
1000V	A	30	100	200	250	600	630	850	
Mechanical life	cycles	30,000	20,000			10,000			
Terminals	Type	Terminal for lugs <sup>②</sup> or bars							
	A mm	18	20	25		30		40	
	B mm	3	4	4		5		8	
	Screw	M8	M8	M10			M14		
Tightening torque	Nm	13 <sup>①</sup>	13	18		24		45	
	lbft	10	10	13		18		33	
Maximum bar size (thickness-width)	mm	5-25 <sup>③</sup>	7-25			2x 5-40		2x 10-50	
Maximum conductor section	mm <sup>2</sup>	95	185			2x240		2x300	
<b>AMBIENT CONDITIONS</b>									
Temperature	Operating	°C	-25...+55						
	Storage	°C	-40...+70						
Maximum altitude	m	3000							
Mounting position	Normal	Vertical							
	Admissible	Any							
Fissaggio		Screw							



- ① 4Nm/3lbft only for GE0160 DT4P.
- ② GE0160 DT4P type has lug clamp/pillar terminals, IP20.
- ③ Not suitable with GE0160 DT4P.